

DEE SUSPENDED

PRODUCT DESCRIPTION

MOUNTING	SUSPENDED
LIGHT SOURCE	LED
LIGHT DISTRIBUTION	DIRECT
MATERIALS	ALUMINIUM

Slim and understated, the adjustable ceiling light DEE brings light exactly where you need it.

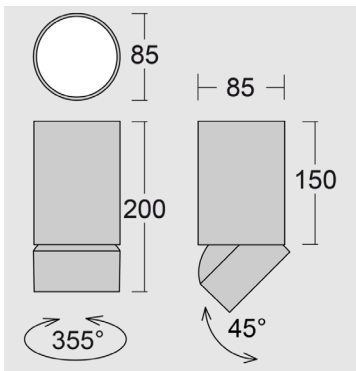
With the 45 degree tilt, 355 degree rotation, selection of beam angles and high CRI, the DEE gives interior designers a freedom to highlight objects or finishes. It is also available as a suspended option, making it a great choice for office, hospitality, retail or any back of the house areas where architectural lighting is required.

The DEE is available in 3 contemporary colours as standard or 'stand out from the crowd' and choose any RAL colour to match your interior design. The DEE can be specified with CASAMBI to increase user control.

PRODUCT CODE

DEE SUSPENDED

DEE Ø85mm										
l (mm)										
200mm	<table border="0"> <tr> <td>LED</td> <td>1x 10W / 1060lm</td> <td>40-E*1-F1-170-***-*-*</td> </tr> <tr> <td>LED</td> <td>1x 17W / 1810lm</td> <td>40-E*1-F2-170-***-*-*</td> </tr> <tr> <td>LED</td> <td>1x 27W / 3150lm</td> <td>40-E*1-F3-170-***-*-*</td> </tr> </table>	LED	1x 10W / 1060lm	40-E*1-F1-170-***-*-*	LED	1x 17W / 1810lm	40-E*1-F2-170-***-*-*	LED	1x 27W / 3150lm	40-E*1-F3-170-***-*-*
LED	1x 10W / 1060lm	40-E*1-F1-170-***-*-*								
LED	1x 17W / 1810lm	40-E*1-F2-170-***-*-*								
LED	1x 27W / 3150lm	40-E*1-F3-170-***-*-*								
*Luminous Flux take at 4000K with Medium Beam Angle										



BEAM ANGLE

NARROW	MEDIUM	NARROW	40-E*1-F*-170-***-*-*
		MEDIUM	40-EM1-F*-170-***-*-*
		FLOOD	40-EP11-F*-170-***-*-*
		WIDE FLOOD	40-EP1-F*-170-***-*-*
FLOOD	WIDE FLOOD		

CRI

90	40-E*1-F*-170-9***-*-*
----	-------------------------------

COLOUR TEMPERATURE

3000K	4000K	3000K	40-E*1-F*-170-30***-*-*
		4000K	40-E*1-F*-170-40***-*-*

CONTROL

NON DIM	DALI DIM	CASAMBI	NON DIM	40-E*1-F*-170-***-K-**-*
			DALI DIM	40-E*1-F*-170-***-J-**-*
			CASAMBI	40-E*1-F*-170-***-BL-**-*

EMERGENCY

NO EMERGENCY	3 HOUR NON-REPORTING EMERGENCY REMOTE	NO EMERGENCY	40-E*1-F*-170-***-0-**-*
		3 HOUR NON-REPORTING EM REMOTE	40-E*1-F*-170-***-7-**-*
		3 HOUR REPORTING EM REMOTE	40-E*1-F*-170-***-8-**-*
		3 HOUR SELF-TEST EM REMOTE	40-E*1-F*-170-***-9-**-*
3 HOUR REPORTING EMERGENCY REMOTE	3 HOUR SELF-TEST EMERGENCY REMOTE		

FINISH

BLACK	WHITE	SILVER	BLACK	40-E*1-F*-170-***-*-D
			WHITE	40-E*1-F*-170-***-*-C
			SILVER	40-E*1-F*-170-***-*-B