



## Candle 1 Body Surface

Benedito Design

Pendant Candle 1 Body Surface LED 4.1 LED warm-white 2700K ON-OFF Black 154lm

### Technical features

- Luminaire total power: 4.1W
- Real lumens: 154
- Real lm/W: 38
- Correlated Colour Temperature (CCT): LED warm-white 2700K
- Lens / reflector angle: FLOOD 47°
- Structure material: Steel, Aluminium
- Structure finish: Black
- Diffuser material: Methacrylate
- Diffuser finish: Transparent
- Driver Brand: HEP
- Voltage / frequency: 100-240V/50-60Hz
- Dimming protocol: ON-OFF
- Power Factor: 0.90
- THD%: 20
- Useful life: 50,000h L80B20
- Warranty: 5 años



### Luminotechnic features

- CRI: 90
- MacAdam steps: 2
- Photobiological risk: RG1

UGR		Lampholder	Quantity	Light source power (W)	Correlated Colour Temperature (CCT)
S=0.250					
Ceiling / cavity	0.7	LED	1	3.2W	LED warm-white 2700K
Walls	0.5				
Working Plane	0.2				
Room dimensions	X=4H, Y=8H				
UGR crosswise	23.7				
UGR lengthwise	23.7				

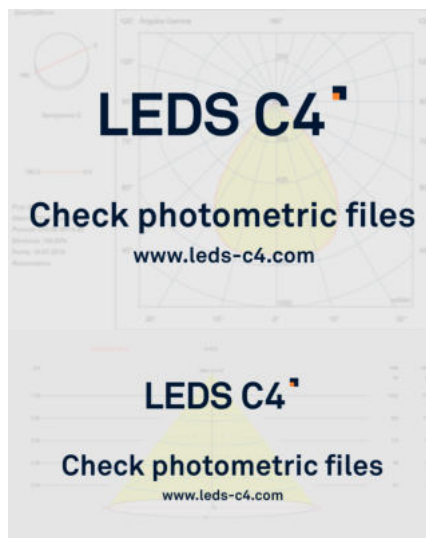
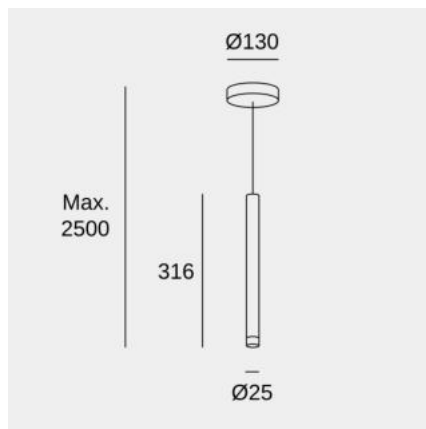
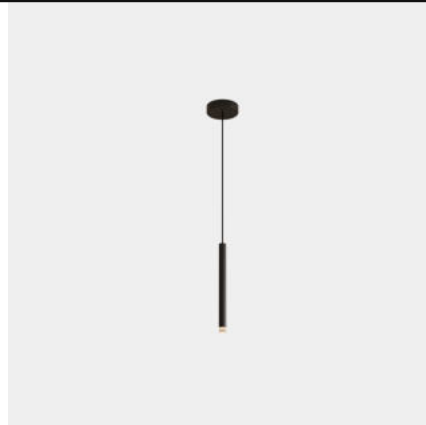


Image may not match reference. LedsC4 reserves the right to amend any of the product's components. The data related to flux, power and colour temperature may be subject to changes made by the manufacturer.



## Candle 1 Body Recessed

Benedito Design

Pendant Candle 1 Body Recessed LED 4.1 LED warm-white 2700K ON-OFF Black 154lm

### Technical features

- Luminaire total power: 4.1W
- Real lumens: 154
- Real lm/W: 38
- Correlated Colour Temperature (CCT): LED warm-white 2700K
- Lens / reflector angle: FLOOD 47°
- Structure material: Steel, Aluminium
- Structure finish: Black
- Diffuser material: Methacrylate
- Diffuser finish: Transparent
- Driver Brand: HEP
- Voltage / frequency: 100-240V/50-60Hz
- Dimming protocol: ON-OFF
- Power Factor: 0.90
- THD%: 20
- Useful life: 50,000h L80B20
- Warranty: 5 años



### Luminotechnic features

- CRI: 90
- MacAdam steps: 2
- Photobiological risk: RG1

UGR		Lampholder	Quantity	Light source power (W)	Correlated Colour Temperature (CCT)
S=0.250					
Ceiling / cavity	0.7	LED	1	3.2W	LED warm-white 2700K
Walls	0.5				
Working Plane	0.2				
Room dimensions	X=4H, Y=8H				
UGR crosswise	23.7				
UGR lengthwise	23.7				

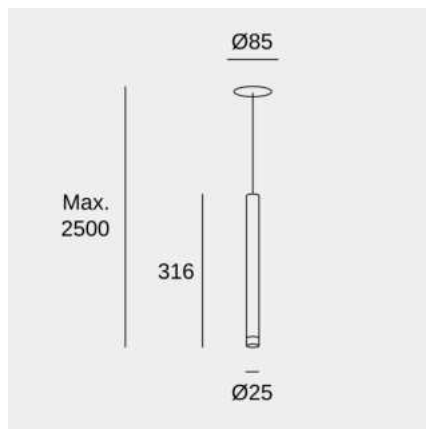
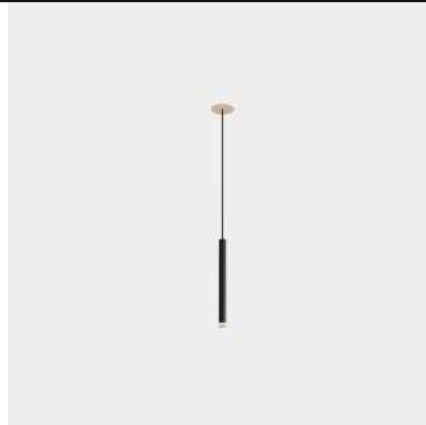


Image may not match reference. LedsC4 reserves the right to amend any of the product's components. The data related to flux, power and colour temperature may be subject to changes made by the manufacturer.



## Candle XS 1 Body Surface

Benedito Design

Pendant Candle XS 1 Body Surface LED 4.1 LED warm-white 2700K ON-OFF Black 154lm

### Technical features

- Luminaire total power: 4.1W
- Real lumens: 154
- Real lm/W: 38
- Correlated Colour Temperature (CCT): LED warm-white 2700K
- Lens / reflector angle: FLOOD 47°
- Structure material: Steel, Aluminium
- Structure finish: Black
- Diffuser material: Methacrylate
- Diffuser finish: Transparent
- Driver Brand: HEP
- Voltage / frequency: 100-240V/50-60Hz
- Dimming protocol: ON-OFF
- Power Factor: 0.90
- THD%: 20
- Useful life: 50,000h L80B20
- Warranty: 5 años



### Luminotechnic features

- CRI: 90
- MacAdam steps: 2
- Photobiological risk: RG1

UGR		Lampholder	Quantity	Light source power (W)	Correlated Colour Temperature (CCT)
S=0.250					
Ceiling / cavity	0.7	LED	1	3.2W	LED warm-white 2700K
Walls	0.5				
Working Plane	0.2				
Room dimensions	X=4H, Y=8H				
UGR crosswise	23.7				
UGR lengthwise	23.7				

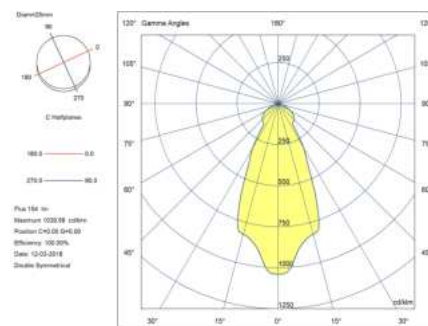
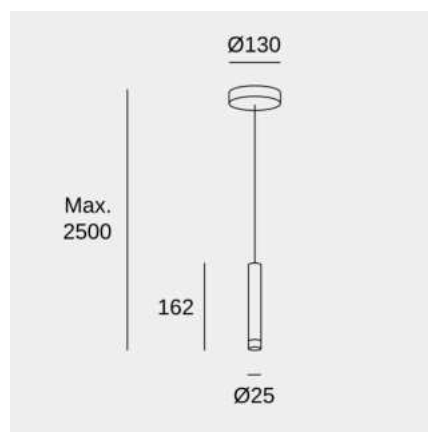


Image may not match reference. LedsC4 reserves the right to amend any of the product's components. The data related to flux, power and colour temperature may be subject to changes made by the manufacturer.



## Candle XS 1 Body Recessed

Benedito Design

Pendant Candle XS 1 Body Recessed LED 4.1 LED warm-white 2700K ON-OFF Black 154lm

### Technical features

- Luminaire total power: 4.1W
- Real lumens: 154
- Real lm/W: 38
- Correlated Colour Temperature (CCT): LED warm-white 2700K
- Lens / reflector angle: FLOOD 47°
- Structure material: Steel, Aluminium
- Structure finish: Black
- Diffuser material: Methacrylate
- Diffuser finish: Transparent
- Driver Brand: HEP
- Voltage / frequency: 100-240V/50-60Hz
- Dimming protocol: ON-OFF
- Power Factor: 0.90
- THD%: 20
- Useful life: 50,000h L80B20
- Warranty: 5 años



### Luminotechnic features

- CRI: 90
- MacAdam steps: 2
- Photobiological risk: RG1

UGR		Lampholder	Quantity	Light source power (W)	Correlated Colour Temperature (CCT)
S=0.250					
Ceiling / cavity	0.7	LED	1	3.2W	LED warm-white 2700K
Walls	0.5				
Working Plane	0.2				
Room dimensions	X=4H, Y=8H				
UGR crosswise	23.7				
UGR lengthwise	23.7				

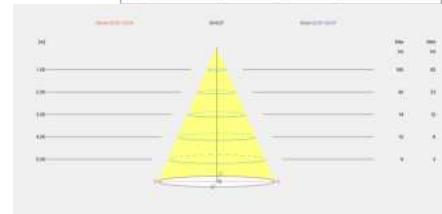
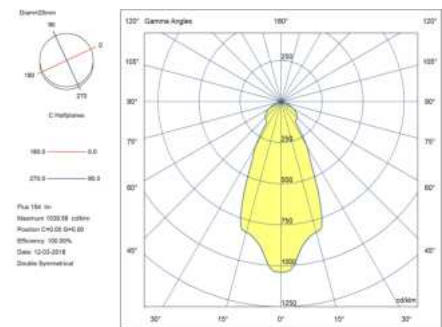
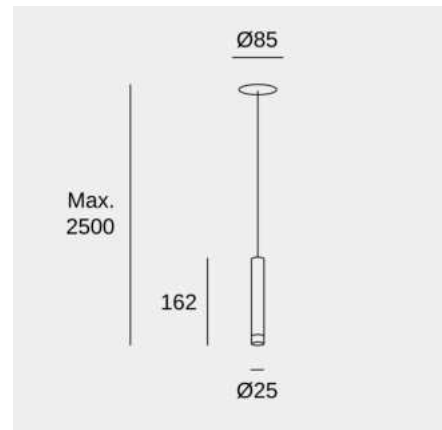


Image may not match reference. LedsC4 reserves the right to amend any of the product's components. The data related to flux, power and colour temperature may be subject to changes made by the manufacturer.



## Candle Triplex

Benedito Design

Pendant Candle Triplex LED 11.5 LED warm-white 2700K PHASE CUT Black 506lm

### Technical features

- Luminaire total power: 11.5W
- Real lumens: 506
- Real lm/W: 44
- Correlated Colour Temperature (CCT): LED warm-white 2700K
- Lens / reflector angle: FLOOD 47°
- Structure material: Steel, Aluminium
- Structure finish: Black
- Diffuser material: Methacrylate
- Diffuser finish: Transparent
- Driver Brand: HEP
- Voltage / frequency: 220-240V/50-60Hz
- Dimming protocol: PHASE CUT
- Power Factor: 0.90
- THD%: 20
- Useful life: 50,000h L80B20
- Warranty: 5 años



### Luminotechnic features

- CRI: 90
- MacAdam steps: 2
- Photobiological risk: RG1

Lampholder	Quantity	Light source power (W)	Correlated Colour Temperature (CCT)
LED	1	9.4W	LED warm-white 2700K

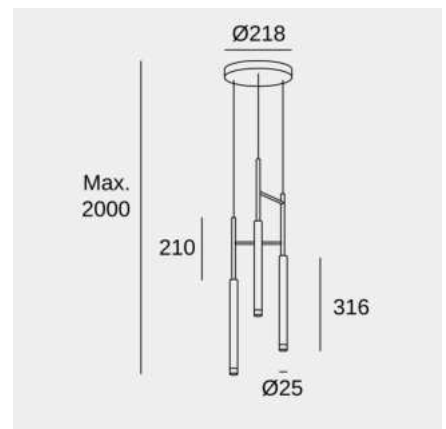


Image may not match reference. LedsC4 reserves the right to amend any of the product's components. The data related to flux, power and colour temperature may be subject to changes made by the manufacturer.



## Candle 5 Bodies Chandelier

Benedito Design

Pendant Candle 5 Bodies Chandelier LED 16.8 LED warm-white 2700K 0-10V / 1-10V / PUSH/ DALI Black 844lm

### Technical features

- Luminaire total power: 16.8W
- Real lumens: 844
- Real lm/W: 50
- Correlated Colour Temperature (CCT): LED warm-white 2700K
- Structure material: Steel, Aluminium
- Structure finish: Black
- Diffuser material: Methacrylate
- Diffuser finish: Transparent
- Driver Brand: TCI
- Voltage / frequency: 100-240V/50-60Hz
- Dimming protocol: 0-10V / 1-10V / PUSH/ DALI
- Power Factor: 0.96
- Useful life: 50,000h L80B20
- Warranty: 5 años



### Luminotechnic features

- CRI: 90
- MacAdam steps: 2
- Photobiological risk: RG1

Lampholder	Quantity	Light source power (W)	Correlated Colour Temperature (CCT)
LED	1	15.6W	LED warm-white 2700K

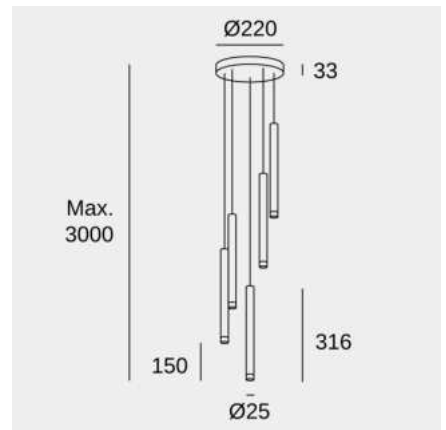


Image may not match reference. LedsC4 reserves the right to amend any of the product's components. The data related to flux, power and colour temperature may be subject to changes made by the manufacturer.



## Candle XS 5Bodies Chandelier

Benedito Design

Pendant Candle XS 5Bodies Chandelier LED 16.8 LED warm-white 2700K 0-10V / 1-10V / PUSH/ DALI Black 844lm

### Technical features

- Luminaire total power: 16.8W
- Real lumens: 844
- Real lm/W: 50
- Correlated Colour Temperature (CCT): LED warm-white 2700K
- Structure material: Steel, Aluminium
- Structure finish: Black
- Diffuser material: Methacrylate
- Diffuser finish: Transparent
- Driver Brand: TCI
- Voltage / frequency: 100-240V/50-60Hz
- Dimming protocol: 0-10V / 1-10V / PUSH/ DALI
- Power Factor: 0.96
- Useful life: 50,000h L80B20
- Warranty: 5 años



### Luminotechnic features

- CRI: 90
- MacAdam steps: 2
- Photobiological risk: RG1

Lampholder	Quantity	Light source power (W)	Correlated Colour Temperature (CCT)
LED	1	15.6W	LED warm-white 2700K

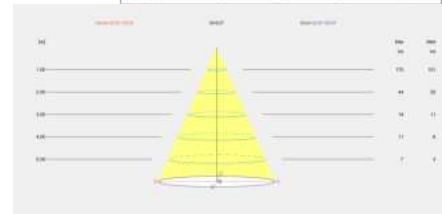
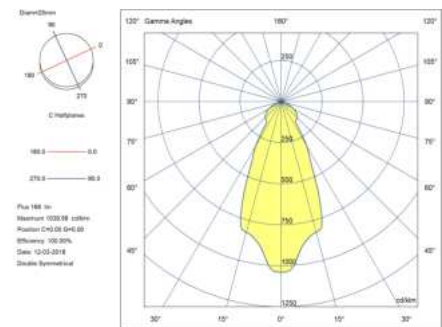
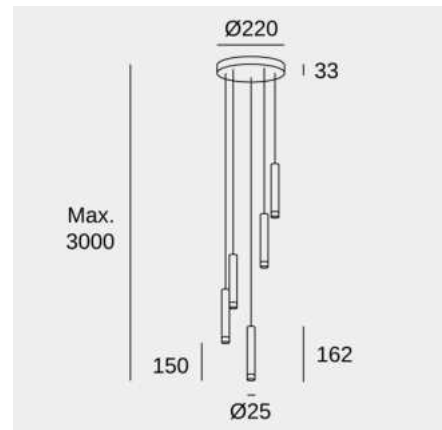


Image may not match reference. LedsC4 reserves the right to amend any of the product's components. The data related to flux, power and colour temperature may be subject to changes made by the manufacturer.

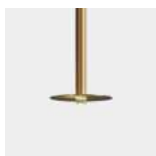


## Candle Triplex

Benedito Design

Pendant Candle Triplex LED 11.5 LED warm-white 2700K PHASE CUT Black 506lm

### Optional accessories



71-6022-27-27

Structure material: Steel  
Dimensions: 150 x NA x 2  
Net weight (kg): 0.27



71-8318-F9-F9

Candle tinted glass diffuser accessory

Structure material: Glass  
Dimensions: 100 x NA x NA  
Net weight (kg): 0.16

Image may not match reference. LedsC4 reserves the right to amend any of the product's components. The data related to flux, power and colour temperature may be subject to changes made by the manufacturer.