



Circular Downward ø600 Surface

Benedito Design

Pendant Circular Downward ø600 Surface LED 33 LED neutral-white 4000K ON-OFF Black 2503lm

Technical features

- Luminaire total power: 33W
- Real lumens: 2503
- Real lm/W: 76
- Correlated Colour Temperature (CCT): LED neutral-white 4000K
- Lens / reflector angle: HORIZONTAL 121°
- UGR: <=22
- Structure finish: Black
- Diffuser material: Polycarbonate
- Diffuser finish: Opal
- Driver Brand: INVENTRONICS
- Voltage / frequency: 100-240V/50-60Hz
- Dimming protocol: ON-OFF/DALI
- Power Factor: 0.90
- Useful life: 50,000h L80B20
- Warranty: 5 años



Luminotechnic features

- Luminance C0°G65°: 2861
- Luminance C90°G65°: 2861
- CRI: 90

UGR	
S=0.250	
Ceiling / cavity	0.7
Walls	0.5
Working Plane	0.2
Room dimensions	X=4H, Y=8H
UGR crosswise	20.5
UGR lengthwise	20.5

Lampholder	Quantity	Light source power (W)	Correlated Colour Temperature (CCT)
LED	1	30W	LED neutral-white 4000K

- Net weight (kg): 3.4
- Packaged weight (kg): 5.42
- Packaging: 700mm x 695mm x 100mm

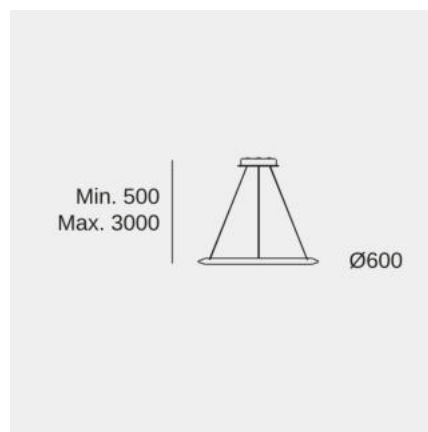


Image may not match reference. LedsC4 reserves the right to amend any of the product's components. The data related to flux, power and colour temperature may be subject to changes made by the manufacturer.



Circular Downward $\varnothing 900$ Surface

Benedito Design

Pendant Circular Downward $\varnothing 900$ Surface LED 46 LED neutral-white 4000K ON-OFF Black 2708lm

Technical features

- Luminaire total power: 46W
- Real lumens: 2708
- Real lm/W: 59
- Correlated Colour Temperature (CCT): LED neutral-white 4000K
- Lens / reflector angle: HORIZONTAL 115°
- UGR: ≤ 19
- Structure finish: Black
- Diffuser material: Polycarbonate
- Diffuser finish: Opal
- Driver Brand: MEANWELL
- Voltage / frequency: 100-240V/50-60Hz
- Dimming protocol: ON-OFF/DALI
- Power Factor: 0.90
- Useful life: 50,000h L80B20
- Warranty: 5 años



Luminotechnic features

- Luminance C0°G65°: 1276
- Luminance C90°G65°: 1273
- CRI: 90

UGR		Lampholder	Quantity	Light source power (W)	Correlated Colour Temperature (CCT)
S=0.250					
Ceiling / cavity	0.7	LED	1	42.5W	LED neutral-white 4000K
Walls	0.5				
Working Plane	0.2				
Room dimensions	X=4H, Y=8H				
UGR crosswise	17.8				
UGR lengthwise	17.8				

- Net weight (kg): 5
- Packaged weight (kg): 10
- Packaging: 981mm x 958mm x 95mm

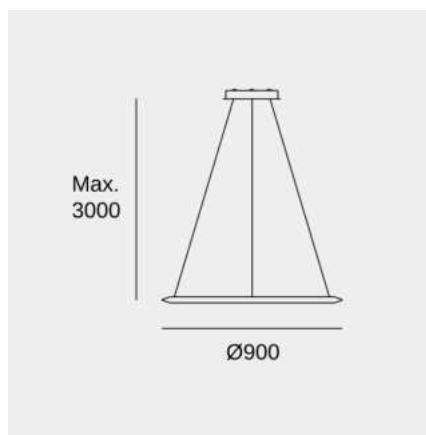
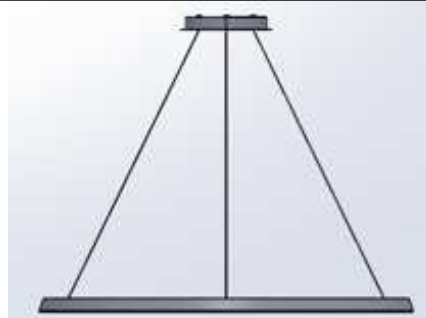


Image may not match reference. LedsC4 reserves the right to amend any of the product's components. The data related to flux, power and colour temperature may be subject to changes made by the manufacturer.



Circular Downward \varnothing 1200 Surface

Benedito Design

Pendant Circular Downward \varnothing 1200 Surface LED 60 LED neutral-white 4000K ON-OFF Black 5003lm

Technical features

- Luminaire total power: 60W
- Real lumens: 5003
- Real lm/W: 83
- Correlated Colour Temperature (CCT): LED neutral-white 4000K
- Lens / reflector angle: HORIZONTAL 121°
- UGR: ≤ 19
- Structure finish: Black
- Diffuser material: Polycarbonate
- Diffuser finish: Opal
- Driver Brand: MEANWELL
- Voltage / frequency: 100-240V/50-60Hz
- Dimming protocol: ON-OFF/DALI
- Power Factor: 0.90
- Useful life: 50,000h L80B20
- Warranty: 5 años



Luminotechnic features

- Luminance C0°G65°: 1385
- Luminance C90°G65°: 1385
- CRI: 90

UGR		Lampholder	Quantity	Light source power (W)	Correlated Colour Temperature (CCT)
S=0.250					
Ceiling / cavity	0.7	LED	1	42.5W	LED neutral-white 4000K
Walls	0.5				
Working Plane	0.2				
Room dimensions	X=4H, Y=8H				
UGR crosswise	18.1				
UGR lengthwise	18.1				

- Net weight (kg): 6
- Packaged weight (kg): 13
- Packaging: 1290mm x 1256mm x 95mm

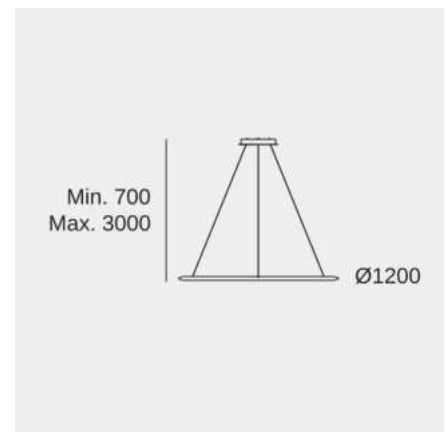


Image may not match reference. LedsC4 reserves the right to amend any of the product's components. The data related to flux, power and colour temperature may be subject to changes made by the manufacturer.



Circular Downward Ø2000 Surface

Benedito Design

Pendant Circular Downward ø2000 Surface LED 108 LED neutral-white 4000K ON-OFF Black 8756lm

Technical features

- Luminaire total power: 108W
- Real lumens: 8756
- Real lm/W: 81
- Correlated Colour Temperature (CCT): LED neutral-white 4000K
- Lens / reflector angle: HORIZONTAL 121°
- UGR: <=19
- Structure finish: Black
- Diffuser material: Polycarbonate
- Diffuser finish: Opal
- Driver Brand: MEANWELL
- Voltage / frequency: 100-240V/50-60Hz
- Dimming protocol: ON-OFF/DALI
- Power Factor: 0.90
- Useful life: 50,000h L80B20
- Warranty: 5 años



Luminotechnic features

- Luminance C0°G65°: 862
- Luminance C90°G65°: 862
- CRI: 90

UGR		Lampholder	Quantity	Light source power (W)	Correlated Colour Temperature (CCT)
S=0.250					
Ceiling / cavity	0.7	LED	1	98W	LED neutral-white 4000K
Walls	0.5				
Working Plane	0.2				
Room dimensions	X=4H, Y=8H				
UGR crosswise	16.4				
UGR lengthwise	16.4				

- Net weight (kg): 12
- Packaged weight (kg): 16
- Packaging: 1900mm x 650mm x 150mm

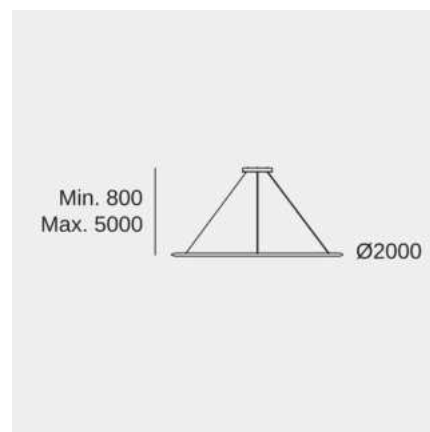


Image may not match reference. LedsC4 reserves the right to amend any of the product's components. The data related to flux, power and colour temperature may be subject to changes made by the manufacturer.



Circular Downward ø3000 Surface

Benedito Design

Pendant Circular Downward ø3000 Surface LED 174 LED neutral-white 4000K ON-OFF Black 12928lm

Technical features

- Luminaire total power: 174W
- Real lumens: 12928
- Real lm/W: 74
- Correlated Colour Temperature (CCT): LED neutral-white 4000K
- Lens / reflector angle: HORIZONTAL 121°
- UGR: <=16
- Structure finish: Black
- Diffuser material: Polycarbonate
- Diffuser finish: Opal
- Driver Brand: MEANWELL
- Voltage / frequency: 100-240V/50-60Hz
- Dimming protocol: ON-OFF/DALI
- Power Factor: 0.90
- Useful life: 50,000h L80B20
- Warranty: 5 años



Luminotechnic features

- Luminance C0°G65°: 562
- Luminance C90°G65°: 562
- CRI: 90

UGR	
S=0.250	
Ceiling / cavity	0.7
Walls	0.5
Working Plane	0.2
Room dimensions	X=4H, Y=8H
UGR crosswise	14.9
UGR lengthwise	14.9

Lampholder	Quantity	Light source power (W)	Correlated Colour Temperature (CCT)
LED	1	158W	LED neutral-white 4000K

- Net weight (kg): 18
- Packaged weight (kg): 32
- Packaging: 2740mm x 1000mm x 255mm

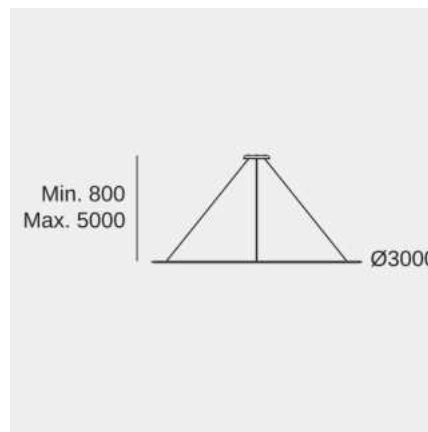


Image may not match reference. LedsC4 reserves the right to amend any of the product's components. The data related to flux, power and colour temperature may be subject to changes made by the manufacturer.