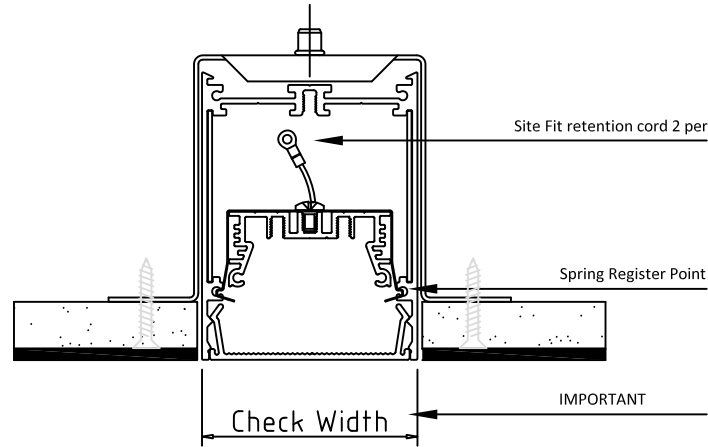


CLYDE RECESSED TRIMLESS Installation Instructions

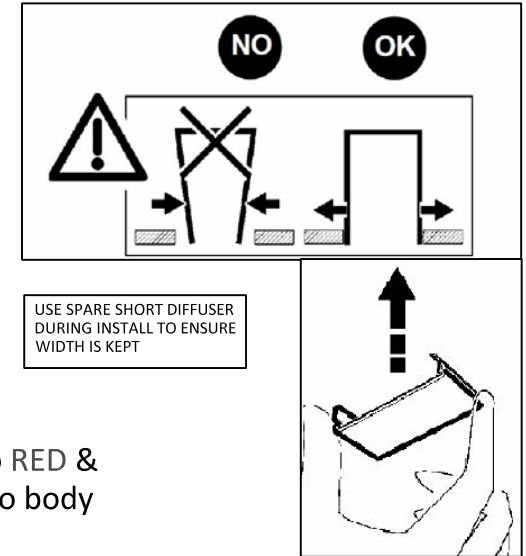
- Ensure Mounting Brackets are at correct centres to suit luminaire and positively fixed to ceiling
 - Luminaire width must be kept - use small spare short diffuser sections to aid installation
 - Refer to delivery note as some instances system runs consist of end of run (EOR) sections and intermediate (INT) sections
 - Ensure suspension method and ceiling is secure and suitable to take weight of lighting system
 - Do not use luminaire to suspended any ceiling structure
 - Lighting runs must be level and true to avoid risk of diffuser falling out of luminaire
 - All join kit components to be installed when continuous system
 - Care must be taken when handling luminare to avoid damage
 - Electrical termination to be carried out by qualified electrician in accordance with latest edition of IEE wiring regs
 - Mains entry to be grommeted/ glanded and provided by installer
 - Caution not to snag or trap internal wiring during installation
 - The luminaire must have minimum of 50mm clear air space to allow thermal stability when recessed
 - On multi-LED bar systems we recommend equal spacing of LED bars for optimum affect
 - Straight cut join for diffuser in all instances and typical 0.5mm per linear mtr expansion allowance
 - Fixings: are metric x length except end cap fixings that are No4 x1/2
- DO NOT USE POWER TOOLS FOR ANY FIXINGS**

Dimensions

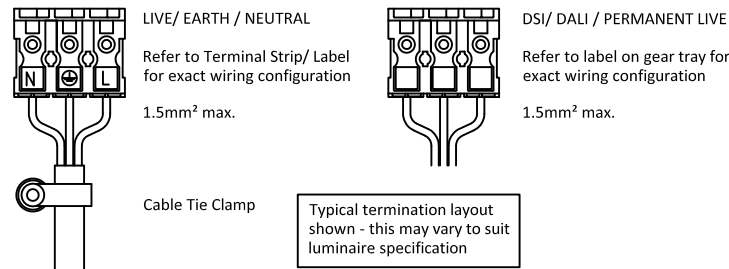


LED Tray & Driver connection polarity must be kept RED to RED & BLACK to BLACK Retention cords must also be connected to body via M4x6 Pan Pozi screws

WARNING ISOLATE SUPPLY



Connections



In case of doubt of connection or dimming protocol visit the electronic control gear manufacturers website for full specification and technical details, warranty information and support - control gear manufacturer name and reference part number is always printed on the top of the unit

Maintenance

Emergency Information - refer to separate instructions supplied

Luminaires should normally be cleaned in conjunction with the routine lamp replacement program

Painted surfaces and Diffusers can be cleaned by compressed air or with a mild neutral detergent warm water mix (55°C max). Wash gently with a soft clean cloth (without microfibre) and plenty of water. Rinse with clean luke warm water - allow to air dry at room temperature or compressed air

Note - electrical components or cabling must not be exposed to cleaning agent or water. It is always important to disconnect the voltage supply before cleaning the luminaire body

ISOLATE MAINS SUPPLY BEFORE REMOVING COVER