



Geometric Rectangle Surface 1600x1000mm

Benedito Design

Pendant Geometric Rectangle Surface 1600x1000mm LED 96 LED neutral-white 4000K ON-OFF Black 6688lm

Technical features

- Luminaire total power: 96W
- Real lumens: 6688
- Real lm/W: 70
- Correlated Colour Temperature (CCT): LED neutral-white 4000K
- Lens / reflector angle: HORIZONTAL 121°
- UGR: <=19
- Structure material: Aluminium
- Structure finish: Black
- Diffuser material: Softdiffuser
- Diffuser finish: Opal
- Driver Brand: MEANWELL
- Voltage / frequency: 100-240V/50-60Hz
- Dimming protocol: ON-OFF/DALI
- Power Factor: 0.90
- Useful life: 50,000h L80B20
- Warranty: 5 años
- Easily recyclable luminaire



Luminotechnic features

- Luminance C0°G65°: 1302
- Luminance C90°G65°: 1302
- CRI: 90

UGR		Lampholder	Quantity	Light source power (W)	Correlated Colour Temperature (CCT)
S=0.250					
Ceiling / cavity	0.7	LED	1	90W	LED neutral-white 4000K
Walls	0.5				
Working Plane	0.2				
Room dimensions	X=4H, Y=8H				
UGR crosswise	17.9				
UGR lengthwise	17.9				

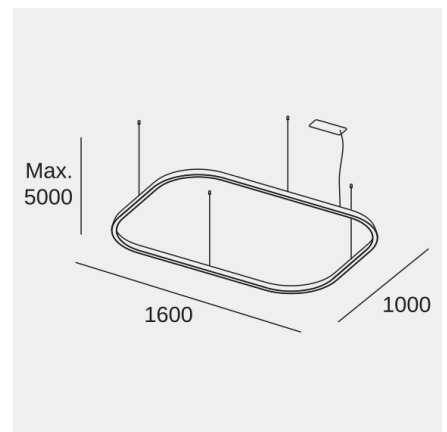


Image may not match reference. LedsC4 reserves the right to amend any of the product's components. The data related to flux, power and colour temperature may be subject to changes made by the manufacturer.



Geometric Rectangle Surface 2500x1600mm

Benedito Design

Pendant Geometric Rectangle Surface 2500x1600mm LED 157 LED neutral-white 4000K ON-OFF Black 10965lm

Technical features

- Luminaire total power: 157W
- Real lumens: 10965
- Real lm/W: 70
- Correlated Colour Temperature (CCT): LED neutral-white 4000K
- Lens / reflector angle: HORIZONTAL 121°
- UGR: <=19
- Structure material: Aluminium
- Structure finish: Black
- Diffuser material: Softdiffuser
- Diffuser finish: Opal
- Driver Brand: MEANWELL
- Voltage / frequency: 100-240V/50-60Hz
- Dimming protocol: ON-OFF/DALI
- Power Factor: 0.90
- Useful life: 50,000h L80B20
- Warranty: 5 años
- Easily recyclable luminaire



Luminotechnic features

- Luminance C0°G65°: 846
- Luminance C90°G65°: 846
- CRI: 90

UGR		Lampholder	Quantity	Light source power (W)	Correlated Colour Temperature (CCT)
S=0.250					
Ceiling / cavity	0.7	LED	1	148W	LED neutral-white 4000K
Walls	0.5				
Working Plane	0.2				
Room dimensions	X=4H, Y=8H				
UGR crosswise	16.4				
UGR lengthwise	16.4				

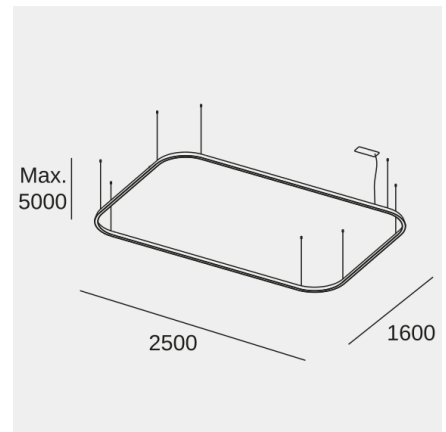


Image may not match reference. LedsC4 reserves the right to amend any of the product's components. The data related to flux, power and colour temperature may be subject to changes made by the manufacturer.



Geometric Rectangle Surface 4000x2500mm

Benedito Design

Pendant Geometric Rectangle Surface 4000x2500mm LED 255 LED neutral-white 4000K ON-OFF Black 17808lm

Technical features

- Luminaire total power: 255W
- Real lumens: 17808
- Real lm/W: 70
- Correlated Colour Temperature (CCT): LED neutral-white 4000K
- Lens / reflector angle: HORIZONTAL 121°
- UGR: <=16
- Structure material: Aluminium
- Structure finish: Black
- Diffuser material: Softdiffuser
- Diffuser finish: Opal
- Driver Brand: MEANWELL
- Voltage / frequency: 100-240V/50-60Hz
- Dimming protocol: ON-OFF/DALI
- Power Factor: 0.90
- Useful life: 50,000h L80B20
- Warranty: 5 años
- Easily recyclable luminaire



Luminotechnic features

- Luminance C0°G65°: 547
- Luminance C90°G65°: 547
- CRI: 90

UGR		Lampholder	Quantity	Light source power (W)	Correlated Colour Temperature (CCT)
S=0.250					
Ceiling / cavity	0.7	LED	1	240W	LED neutral-white 4000K
Walls	0.5				
Working Plane	0.2				
Room dimensions	X=4H, Y=8H				
UGR crosswise	14.9				
UGR lengthwise	14.9				

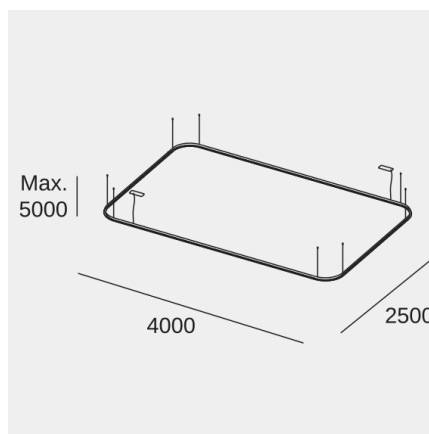


Image may not match reference. LedsC4 reserves the right to amend any of the product's components. The data related to flux, power and colour temperature may be subject to changes made by the manufacturer.