



## Geometric Square Surface 1000x1000mm

Benedito Design

Pendant Geometric Square Surface 1000x1000mm LED 72 LED neutral-white 4000K ON-OFF Black 4978lm

### Technical features

- Luminaire total power: 72W
- Real lumens: 4978
- Real lm/W: 69
- Correlated Colour Temperature (CCT): LED neutral-white 4000K
- Lens / reflector angle: HORIZONTAL 121°
- UGR: <=19
- Structure material: Aluminium
- Structure finish: Black
- Diffuser material: Softdiffuser
- Diffuser finish: Opal
- Driver Brand: MEANWELL
- Voltage / frequency: 100-240V/50-60Hz
- Dimming protocol: ON-OFF/DALI
- Power Factor: 0.90
- Useful life: 50,000h L80B20
- Warranty: 5 años
- Easily recyclable luminaire



### Luminotechnic features

- Luminance C0°G65°: 1560
- Luminance C90°G65°: 1560
- CRI: 90

UGR		Lampholder	Quantity	Light source power (W)	Correlated Colour Temperature (CCT)
S=0.250					
Ceiling / cavity	0.7	LED	1	67W	LED neutral-white 4000K
Walls	0.5				
Working Plane	0.2				
Room dimensions	X=4H, Y=8H				
UGR crosswise	18.5				
UGR lengthwise	18.5				

Packaging: 1290mm x 1256mm x 95mm

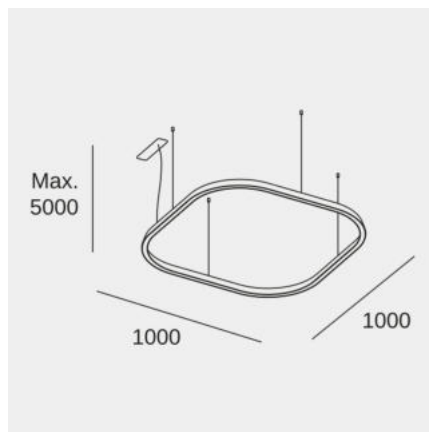


Image may not match reference. LedsC4 reserves the right to amend any of the product's components. The data related to flux, power and colour temperature may be subject to changes made by the manufacturer.



## Geometric Square Surface 1600x1600mm

Benedito Design

Pendant Geometric Square Surface 1600x1600mm LED 121 LED neutral-white 4000K ON-OFF Black 8399lm

### Technical features

- Luminaire total power: 121W
- Real lumens: 8399
- Real lm/W: 69
- Correlated Colour Temperature (CCT): LED neutral-white 4000K
- Lens / reflector angle: HORIZONTAL 121°
- UGR: <=19
- Structure material: Aluminium
- Structure finish: Black
- Diffuser material: Softdiffuser
- Diffuser finish: Opal
- Driver Brand: MEANWELL
- Voltage / frequency: 100-240V/50-60Hz
- Dimming protocol: ON-OFF/DALI
- Power Factor: 0.90
- Useful life: 50,000h L80B20
- Warranty: 5 años
- Easily recyclable luminaire



### Luminotechnic features

- Luminance C0°G65°: 1016
- Luminance C90°G65°: 1016
- CRI: 90

UGR		Lampholder	Quantity	Light source power (W)	Correlated Colour Temperature (CCT)
S=0.250					
Ceiling / cavity	0.7	LED	1	113W	LED neutral-white 4000K
Walls	0.5				
Working Plane	0.2				
Room dimensions	X=4H, Y=8H				
UGR crosswise	17.0				
UGR lengthwise	17.0				

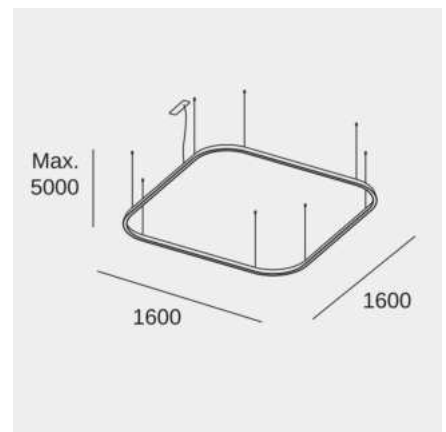


Image may not match reference. LedsC4 reserves the right to amend any of the product's components. The data related to flux, power and colour temperature may be subject to changes made by the manufacturer.



## Geometric Square Surface 2500x2500mm

Benedito Design

Pendant Geometric Square Surface 2500x2500mm LED 195 LED neutral-white 4000K ON-OFF Black 13531lm

### Technical features

- Luminaire total power: 195W
- Real lumens: 13531
- Real lm/W: 69
- Correlated Colour Temperature (CCT): LED neutral-white 4000K
- Lens / reflector angle: HORIZONTAL 121°
- UGR: <=16
- Structure material: Aluminium
- Structure finish: Black
- Diffuser material: Softdiffuser
- Diffuser finish: Opal
- Driver Brand: MEANWELL
- Voltage / frequency: 100-240V/50-60Hz
- Dimming protocol: ON-OFF/DALI
- Power Factor: 0.90
- Useful life: 50,000h L80B20
- Warranty: 5 años
- Easily recyclable luminaire



### Luminotechnic features

- Luminance C0°G65°: 666
- Luminance C90°G65°: 666
- CRI: 90

UGR		Lampholder	Quantity	Light source power (W)	Correlated Colour Temperature (CCT)
S=0.250					
Ceiling / cavity	0.7	LED	1	182W	LED neutral-white 4000K
Walls	0.5				
Working Plane	0.2				
Room dimensions	X=4H, Y=8H				
UGR crosswise	15.6				
UGR lengthwise	15.6				

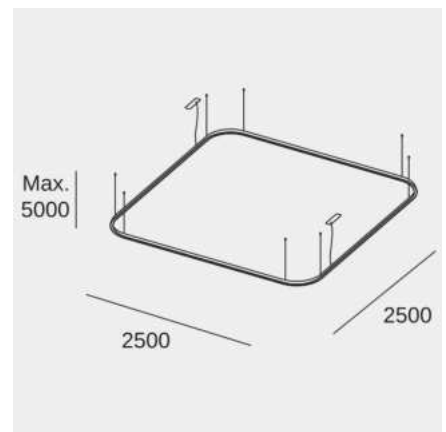


Image may not match reference. LedsC4 reserves the right to amend any of the product's components. The data related to flux, power and colour temperature may be subject to changes made by the manufacturer.



## Geometric Square Surface 4000x4000mm

Benedito Design

Pendant Geometric Square Surface 4000x4000mm LED 315W LED neutral-white 4000K ON-OFF Black 22085lm

### Technical features

- Luminaire total power: 315W
- Real lumens: 22085
- Real lm/W: 70
- Correlated Colour Temperature (CCT): LED neutral-white 4000K
- Lens / reflector angle: HORIZONTAL 121°
- UGR: <=16
- Structure material: Aluminium
- Structure finish: Black
- Diffuser material: Softdiffuser
- Diffuser finish: Opal
- Driver Brand: MEANWELL
- Voltage / frequency: 100-240V/50-60Hz
- Dimming protocol: ON-OFF/DALI
- Power Factor: 0.90
- Useful life: 50,000h L80B20
- Warranty: 5 años
- Easily recyclable luminaire



### Luminotechnic features

- Luminance C0°G65°: 423
- Luminance C90°G65°: 423
- CRI: 90

UGR		Lampholder	Quantity	Light source power (W)	Correlated Colour Temperature (CCT)
S=0.250					
Ceiling / cavity	0.7	LED	1	297W	LED neutral-white 4000K
Walls	0.5				
Working Plane	0.2				
Room dimensions	X=4H, Y=8H				
UGR crosswise	14.0				
UGR lengthwise	14.0				

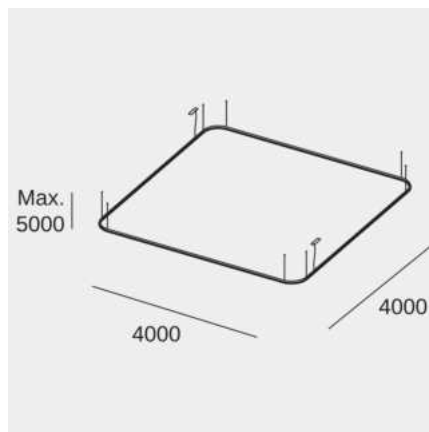
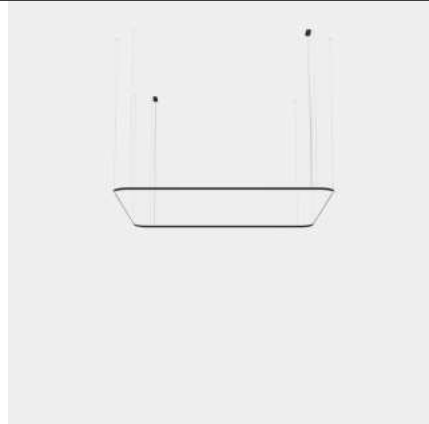


Image may not match reference. LedsC4 reserves the right to amend any of the product's components. The data related to flux, power and colour temperature may be subject to changes made by the manufacturer.