



Geometric Triangular Surface 1000mm

Benedito Design

Pendant Geometric Triangular Surface 1000mm LED 64 LED neutral-white 4000K ON-OFF Black 4416lm

Technical features

- Luminaire total power: 64W
- Real lumens: 4416
- Real lm/W: 69
- Correlated Colour Temperature (CCT): LED neutral-white 4000K
- Lens / reflector angle: HORIZONTAL 121°
- UGR: <=16
- Structure material: Aluminium
- Structure finish: Black
- Diffuser material: Softdiffuser
- Diffuser finish: Opal
- Driver Brand: MEANWELL
- Voltage / frequency: 100-240V/50-60Hz
- Dimming protocol: ON-OFF/DALI
- Power Factor: 0.90
- Useful life: 50,000h L80B20
- Warranty: 5 años
- Easily recyclable luminaire



Luminotechnic features

- Luminance C0°G65°: 435
- Luminance C90°G65°: 435
- CRI: 90

UGR		Lampholder	Quantity	Light source power (W)	Correlated Colour Temperature (CCT)
S=0.250					
Ceiling / cavity	0.7	LED	1	59W	LED neutral-white 4000K
Walls	0.5				
Working Plane	0.2				
Room dimensions	X=4H, Y=8H				
UGR crosswise	14.0				
UGR lengthwise	14.0				

Packaging: 1290mm x 1256mm x 95mm

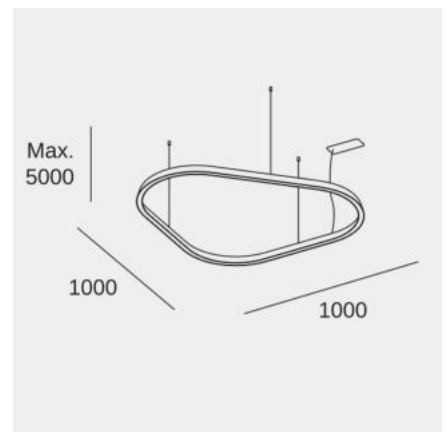


Image may not match reference. LedsC4 reserves the right to amend any of the product's components. The data related to flux, power and colour temperature may be subject to changes made by the manufacturer.



Geometric Triangular Surface 1600mm

Benedito Design

Pendant Geometric Triangular Surface 1600mm LED 106 LED neutral-white 4000K ON-OFF Black 7336lm

Technical features

- Luminaire total power: 106W
- Real lumens: 7336
- Real lm/W: 69
- Correlated Colour Temperature (CCT): LED neutral-white 4000K
- Lens / reflector angle: HORIZONTAL 121°
- UGR: <=16
- Structure material: Aluminium
- Structure finish: Black
- Diffuser material: Softdiffuser
- Diffuser finish: Opal
- Driver Brand: MEANWELL
- Voltage / frequency: 100-240V/50-60Hz
- Dimming protocol: ON-OFF/DALI
- Power Factor: 0.90
- Useful life: 50,000h L80B20
- Warranty: 5 años
- Easily recyclable luminaire



Luminotechnic features

- Luminance C0°G65°: 722
- Luminance C90°G65°: 722
- CRI: 90

UGR		Lampholder	Quantity	Light source power (W)	Correlated Colour Temperature (CCT)
S=0.250					
Ceiling / cavity	0.7	LED	1	99W	LED neutral-white 4000K
Walls	0.5				
Working Plane	0.2				
Room dimensions	X=4H, Y=8H				
UGR crosswise	15.8				
UGR lengthwise	15.8				

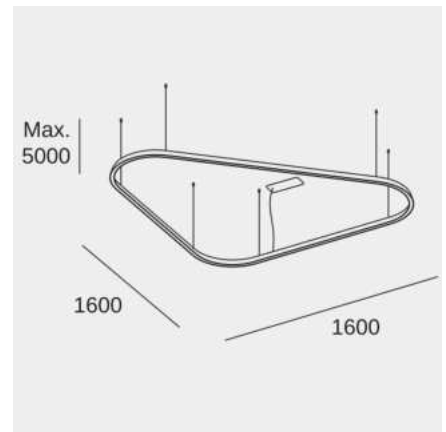


Image may not match reference. LedsC4 reserves the right to amend any of the product's components. The data related to flux, power and colour temperature may be subject to changes made by the manufacturer.



Geometric Triangular Surface 2500mm

Benedito Design

Pendant Geometric Triangular Surface 2500mm LED 168 LED neutral-white 4000K ON-OFF Black 11717lm

Technical features

- Luminaire total power: 168W
- Real lumens: 11717
- Real lm/W: 70
- Correlated Colour Temperature (CCT): LED neutral-white 4000K
- Lens / reflector angle: HORIZONTAL 121°
- UGR: <=19
- Structure material: Aluminium
- Structure finish: Black
- Diffuser material: Softdiffuser
- Diffuser finish: Opal
- Driver Brand: MEANWELL
- Voltage / frequency: 100-240V/50-60Hz
- Dimming protocol: ON-OFF/DALI
- Power Factor: 0.90
- Useful life: 50,000h L80B20
- Warranty: 5 años
- Easily recyclable luminaire



Luminotechnic features

- Luminance C0°G65°: 1154
- Luminance C90°G65°: 1154
- CRI: 90

UGR		Lampholder	Quantity	Light source power (W)	Correlated Colour Temperature (CCT)
S=0.250					
Ceiling / cavity	0.7	LED	1	168W	LED neutral-white 4000K
Walls	0.5				
Working Plane	0.2				
Room dimensions	X=4H, Y=8H				
UGR crosswise	17.4				
UGR lengthwise	17.4				

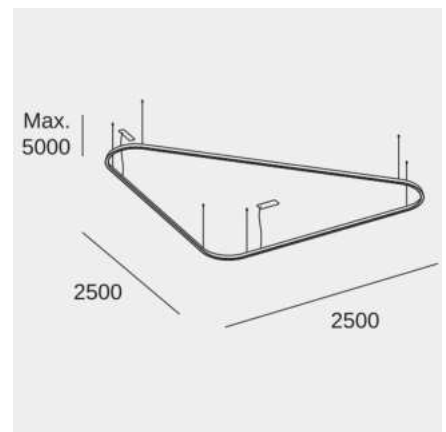


Image may not match reference. LedsC4 reserves the right to amend any of the product's components. The data related to flux, power and colour temperature may be subject to changes made by the manufacturer.



Geometric Triangular Surface Double

Benedito Design

Pendant Geometric Triangular Surface Double LED 212 LED neutral-white 4000K ON-OFF White 14672lm

Technical features

- Luminaire total power: 212W
- Real lumens: 14672
- Real lm/W: 69
- Correlated Colour Temperature (CCT): LED neutral-white 4000K
- Structure material: Aluminium
- Structure finish: White
- Diffuser material: Softdiffuser
- Diffuser finish: Opal
- Driver Brand: MEANWELL
- Voltage / frequency: 100-240V/50-60Hz
- Dimming protocol: ON-OFF/DALI
- Power Factor: 0.90
- Useful life: 50,000h L80B20
- Warranty: 5 años
- Easily recyclable luminaire



Luminotechnic features

CRI: 90

Lampholder	Quantity	Light source power (W)	Correlated Colour Temperature (CCT)
LED	1	198W	LED neutral-white 4000K

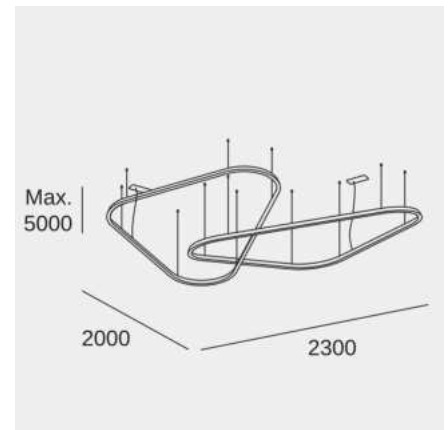


Image may not match reference. LedsC4 reserves the right to amend any of the product's components. The data related to flux, power and colour temperature may be subject to changes made by the manufacturer.