



## Atom Track 52 AC 120V

LedsC4 Team

Spotlight Atom Track 52 AC 120V 7.5 LED warm-white 3000K CRI 90 32.5° PHASE CUT Black 308lm

### Technical features

Luminaire total power: 7.5W

Real lumens: 308

Real lm/W: 41

Correlated Colour Temperature (CCT): LED warm-white 3000K

Lens / reflector angle: MEDIUM 33°

UGR: <=16

Structure material: Aluminium

Structure finish: Black

Diffuser material: Polycarbonate

Diffuser finish: Transparent

Voltage / frequency: 120V/50-60Hz

Dimming protocol: PHASE CUT

Power Factor: 1.00

Useful life: 50,000h L80B20

Warranty: 5 años



### Luminotechnic features

CRI: 90

MacAdam steps: 3

Photobiological risk: RGO

UGR crosswise: 11.4

UGR lengthwise: 11.4

Lampholder	Quantity	Light source power (W)	Correlated Colour Temperature (CCT)
LED	1	7.5W	LED warm-white 3000K

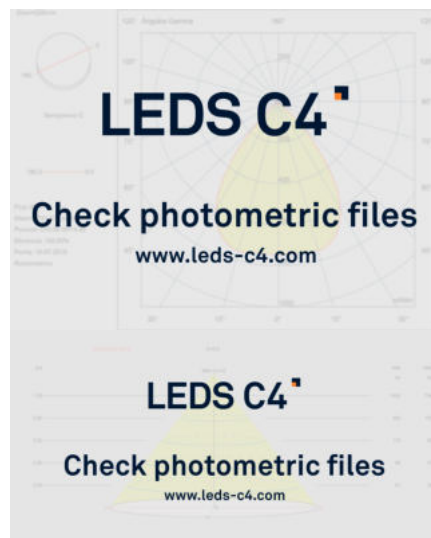
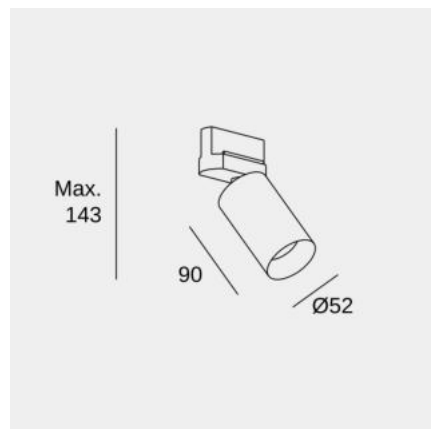


Image may not match reference. LedsC4 reserves the right to amend any of the product's components. The data related to flux, power and colour temperature may be subject to changes made by the manufacturer.



## Atom Track 75 AC 120V

LedsC4 Team

Spotlight Atom Track 75 AC 120V 14.3 LED warm-white 3000K CRI 90 31.4° PHASE CUT Black 870lm

### Technical features

Luminaire total power: 14.3W

Real lumens: 870

Real lm/W: 61

Correlated Colour Temperature (CCT): LED warm-white 3000K

Lens / reflector angle: MEDIUM 31°

UGR: <=16

Structure material: Aluminium

Structure finish: Black

Diffuser material: Polycarbonate

Diffuser finish: Transparent

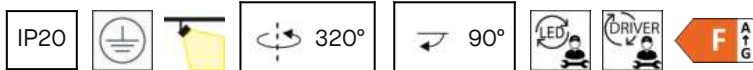
Voltage / frequency: 120V/50-60Hz

Dimming protocol: PHASE CUT

Power Factor: 1.00

Useful life: 50,000h L80B20

Warranty: 5 años



### Luminotechnic features

CRI: 90

MacAdam steps: 3

Photobiological risk: RGO

UGR crosswise: 3.6

UGR lengthwise: 3.6

Lampholder	Quantity	Light source power (W)	Correlated Colour Temperature (CCT)
LED	1	14.3W	LED warm-white 3000K

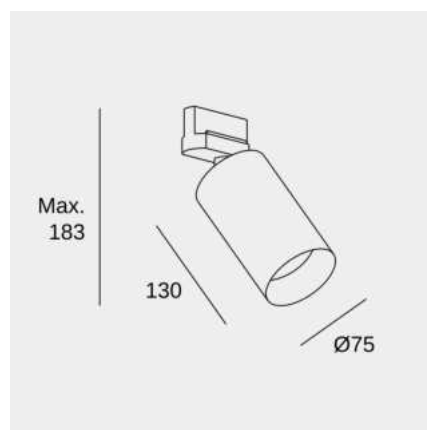


Image may not match reference. LedsC4 reserves the right to amend any of the product's components. The data related to flux, power and colour temperature may be subject to changes made by the manufacturer.



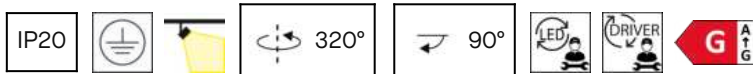
## Atom Track 97 AC 120V

LedsC4 Team

Spotlight Atom Track 97 AC 120V 31 LED warm-white 3000K CRI 90 35.5° PHASE CUT Black 1595lm

### Technical features

- Luminaire total power: 31W
- Real lumens: 1595
- Real lm/W: 51
- Correlated Colour Temperature (CCT): LED warm-white 3000K
- Lens / reflector angle: MEDIUM 36°
- UGR: <=16
- Structure material: Aluminium
- Structure finish: Black
- Diffuser material: Polycarbonate
- Diffuser finish: Transparent
- Voltage / frequency: 120V/50-60Hz
- Dimming protocol: PHASE CUT
- Power Factor: 1.00
- Useful life: 50,000h L80B20
- Warranty: 5 años



### Luminotechnic features

- CRI: 90
- MacAdam steps: 3
- Photobiological risk: RGO
- UGR crosswise: 9.6
- UGR lengthwise: 9.6

Lampholder	Quantity	Light source power (W)	Correlated Colour Temperature (CCT)
LED	1	31W	LED warm-white 3000K

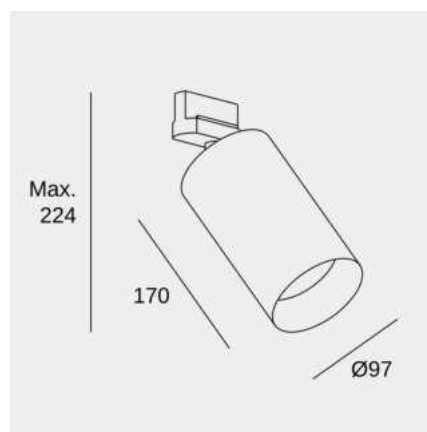


Image may not match reference. LedsC4 reserves the right to amend any of the product's components. The data related to flux, power and colour temperature may be subject to changes made by the manufacturer.



## Atom Track 52

LedsC4 Team

Spotlight Atom Track 52 15 LED neutral-white 4000K CRI 90 34.2° ON-OFF Black 1414lm

### Technical features

Luminaire total power: 15W

Real lumens: 1414

Real lm/W: 94

Correlated Colour Temperature (CCT): LED neutral-white 4000K

Lens / reflector angle: MEDIUM 34°

UGR: <=16

Structure material: Aluminium

Structure finish: Black

Driver Brand: TCI

Voltage / frequency: 220-240V/50-60Hz

Dimming protocol: ON-OFF

Power Factor: 0.95

THD%: 8

Useful life: 50,000h L80B20

Warranty: 5 años

Easily recyclable luminaire



### Luminotechnic features

CRI: 90

MacAdam steps: 2

Photobiological risk: RG2

UGR crosswise: 12.7

UGR lengthwise: 12.7

Lampholder	Quantity	Light source power (W)	Correlated Colour Temperature (CCT)
LED	1	12.1W	LED neutral-white 4000K

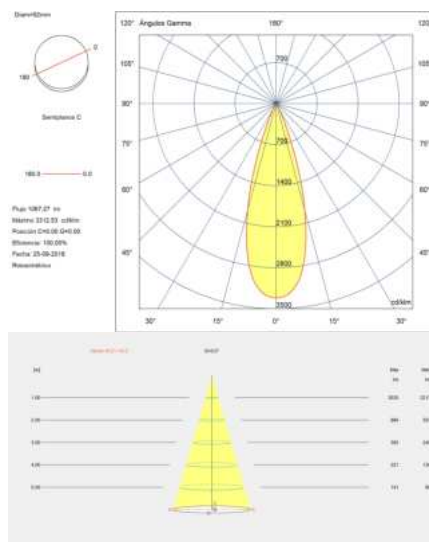
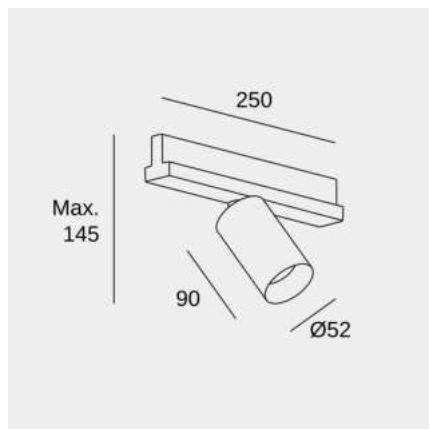


Image may not match reference. LedsC4 reserves the right to amend any of the product's components. The data related to flux, power and colour temperature may be subject to changes made by the manufacturer.



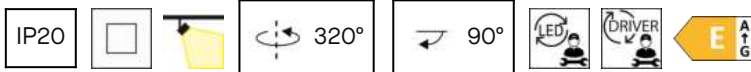
## Atom Track 75

LedsC4 Team

Spotlight Atom Track 75 28 LED neutral-white 4000K CRI 90 30.8° ON-OFF Black 2635lm

### Technical features

- Luminaire total power: 28W
- Real lumens: 2635
- Real lm/W: 94
- Correlated Colour Temperature (CCT): LED neutral-white 4000K
- Lens / reflector angle: MEDIUM 31°
- UGR: <=16
- Structure material: Aluminium
- Structure finish: Black
- Driver Brand: VOSSLOH-SCHWABE
- Voltage / frequency: 220-240V/50-60Hz
- Dimming protocol: ON-OFF
- Power Factor: 0.95
- THD%: 7
- Useful life: 50,000h L80B20
- Warranty: 5 años
- Easily recyclable luminaire



### Luminotechnic features

- CRI: 90
- MacAdam steps: 2
- Photobiological risk: RG2
- UGR crosswise: 14.2
- UGR lengthwise: 14.2

Lampholder	Quantity	Light source power (W)	Correlated Colour Temperature (CCT)
LED	1	24W	LED neutral-white 4000K

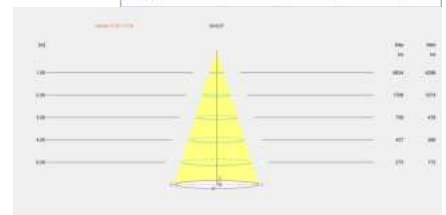
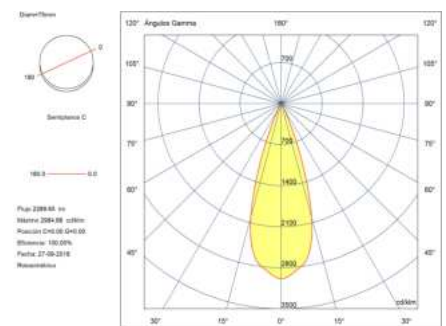
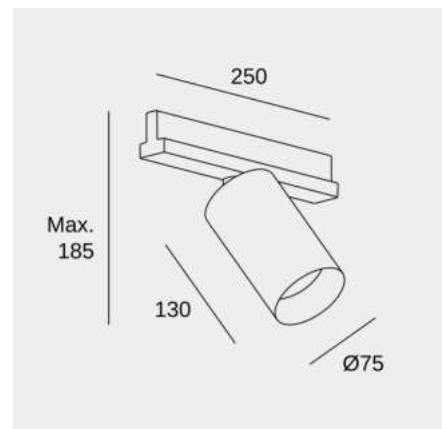


Image may not match reference. LedsC4 reserves the right to amend any of the product's components. The data related to flux, power and colour temperature may be subject to changes made by the manufacturer.



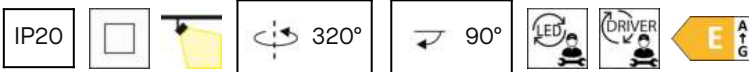
## Atom Track 97

LedsC4 Team

Spotlight Atom Track 97 42 LED neutral-white 4000K CRI 90 27.4° ON-OFF Black 4110lm

### Technical features

- Luminaire total power: 42W
- Real lumens: 4110
- Real lm/W: 98
- Correlated Colour Temperature (CCT): LED neutral-white 4000K
- Lens / reflector angle: MEDIUM 27°
- UGR: <=16
- Structure material: Aluminium
- Structure finish: Black
- Driver Brand: VOSSLOH-SCHWABE
- Voltage / frequency: 220-240V/50-60Hz
- Dimming protocol: ON-OFF
- Power Factor: 0.95
- THD%: 7
- Useful life: 50,000h L80B20
- Warranty: 5 años
- Easily recyclable luminaire



### Luminotechnic features

- CRI: 90
- MacAdam steps: 2
- Photobiological risk: RG2
- UGR crosswise: 9.8
- UGR lengthwise: 9.8

Lampholder	Quantity	Light source power (W)	Correlated Colour Temperature (CCT)
LED	1	37.3W	LED neutral-white 4000K

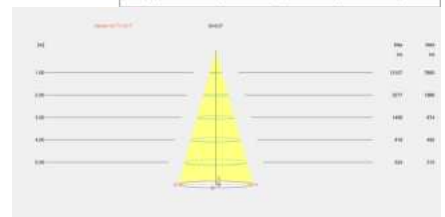
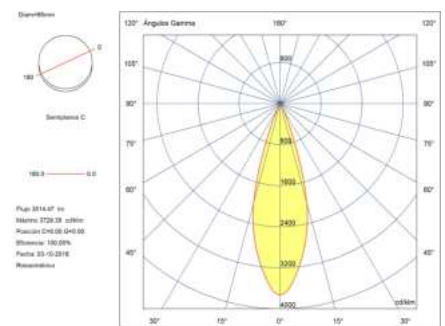
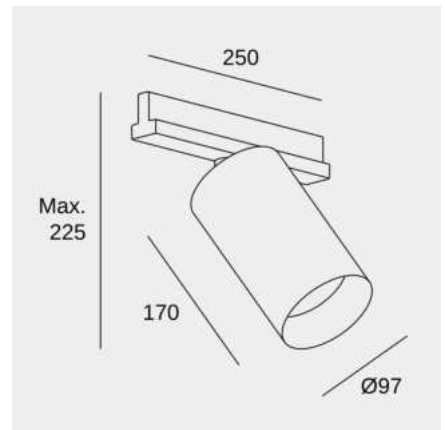


Image may not match reference. LedsC4 reserves the right to amend any of the product's components. The data related to flux, power and colour temperature may be subject to changes made by the manufacturer.



## Atom Track 97

LedsC4 Team

Spotlight Atom Track 97 42 LED neutral-white 4000K CRI 90 27.4° ON-OFF Black 4110lm

### Optional accessories



71-6288-14-00

White Visual comfort

Structure material: Aluminium  
Dimensions: 97 x NA x 96.1  
Net weight (kg): 0.2



71-6288-60-00

Black Visual comfort

Structure material: Aluminium  
Dimensions: 97 x NA x 96.1  
Net weight (kg): 0.2



71-6289-60-00

Visor

Structure material: Aluminium  
Dimensions: 97 x NA x 134.1  
Net weight (kg): 0.17



71-6438-14-00

Frontal white ring

Structure material: Aluminium  
Dimensions: 94.4 x NA x 36.3  
Net weight (kg): 0.06



71-6438-23-00

Frontal gold ring

Structure material: Aluminium  
Dimensions: 94.4 x NA x 36.3  
Net weight (kg): 0.06

Image may not match reference. LedsC4 reserves the right to amend any of the product's components. The data related to flux, power and colour temperature may be subject to changes made by the manufacturer.

# Optional accessories



71-6286-00-00

5 x Elliptical diffuser

Structure material: Methacrylate  
Dimensions: 84 x NA x 2  
Net weight (kg): 0.08



71-6285-60-00

5 x Honeycomb panel

Structure material: Aluminium  
Dimensions: 84 x NA x 2  
Net weight (kg): 0.03



71-6287-00-00

5 x Halo diffuser

Structure material: Methacrylate  
Dimensions: 84 x NA x 2  
Net weight (kg): 0.08



71-6290-14-00

White Anti-glare flaps

Structure material: Aluminium  
Dimensions: 341 x 341 x 38.9  
Net weight (kg): 0.62



71-6290-60-00

Black Anti-glare flaps

Structure material: Aluminium  
Dimensions: 341 x 341 x 38.9  
Net weight (kg): 0.62

Image may not match reference. LedsC4 reserves the right to amend any of the product's components. The data related to flux, power and colour temperature may be subject to changes made by the manufacturer.