

INSTALLATION INSTRUCTIONS

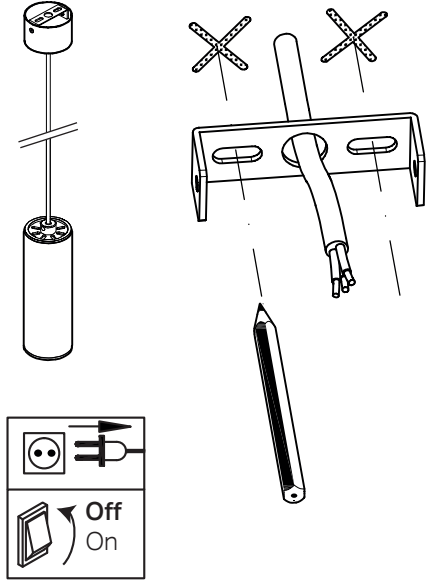
Suspended Lighting_299Lighting

BELLART SUSPENDED

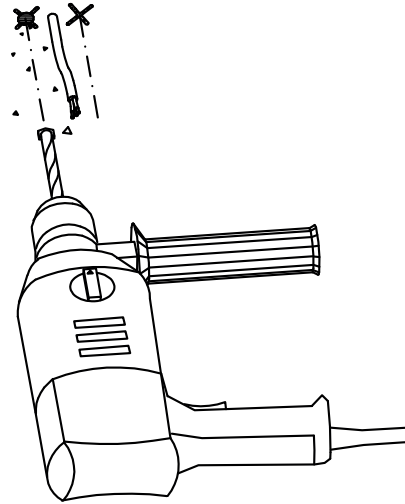
BELLART SUSPENDED

INSTALLATION INSTRUCTIONS

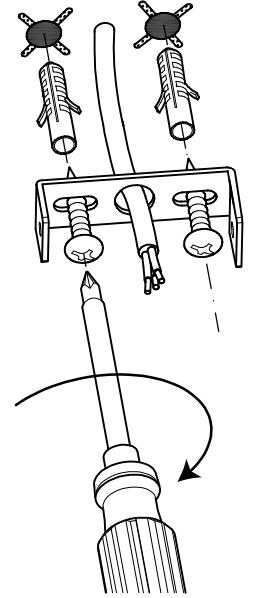
1. ø55 | ø90 | ø120 Diameters



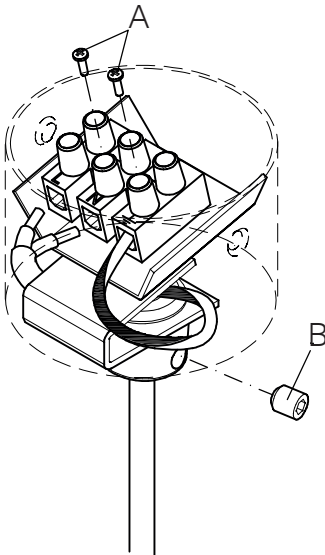
2.



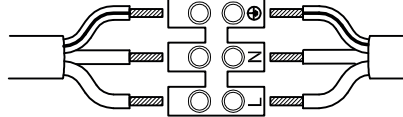
3.



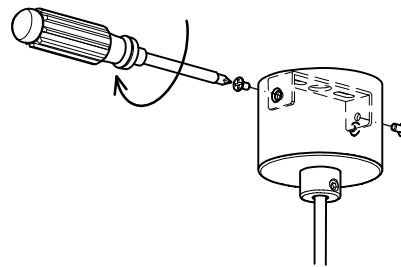
4a.



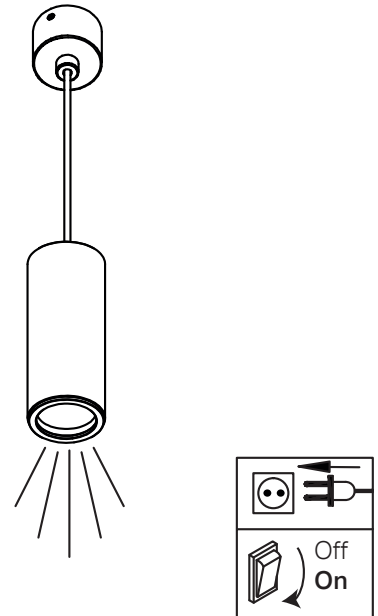
4b.



5.



6.



Safety Notes

The safety of this luminaire is guaranteed only if you comply with these instructions; remember to conserve in a safe place
 Ensure adequate voltage and frequency is supplied to the equipment
 Disconnect from the main power before performing or any maintenance
 The installation should be carried out by qualified personnel
 For indoor use only

