

If recessing (trimless) ensure prepared aperture allows flexibility of +4mm to aid installation of luminaire

Refer to delivery note as some instances system runs consist of end of run (EOR) sections and intermediate (INT) sections

Ensure suspension method and structure is secure and suitable to take weight of lighting system

Do not use luminaire to suspended any ceiling structure

Lighting runs must be level and true to avoid risk of diffuser falling out of luminaire

All join plates to be installed when continuous system

Care must be taken when handling luminare to avoid damage

Electrical termination to be carried out by qualified electrician in accordance with latest edition of IEE wiring regs

Mains entry to be grommeted/ glanded and provided by installer

Caution not to snag or trap internal wiring during installation

The luminaire must have minimum of 50mm clear air space to allow thermal stability when recessed

On multi-LED bar systems we recommend equal spacing of LED bars for optimum affect

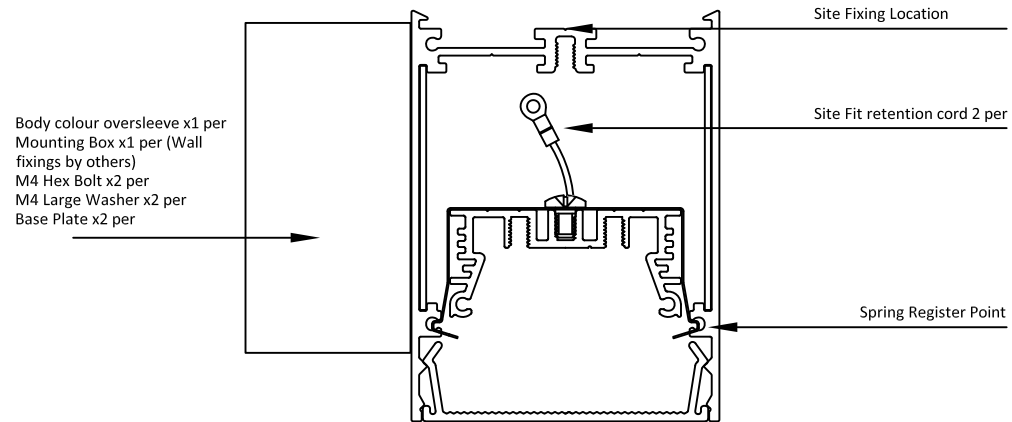
Emergency luminaires (if chosen) must only have battery connection made when a 220-240 volt AC permanent supply is made and then given the minimum un-interrupted charge prior to any testing. Refer to separate emergency instructions supplied. Ensure charge indicator is clipped to lamp and facing down so that it can be seen through diffuser

Straight cut join for diffuser in all instances and typical 0.5mm per linear mtr expansion allowance

Fixings: are metric x length except end cap fixings that are No4 x1/2

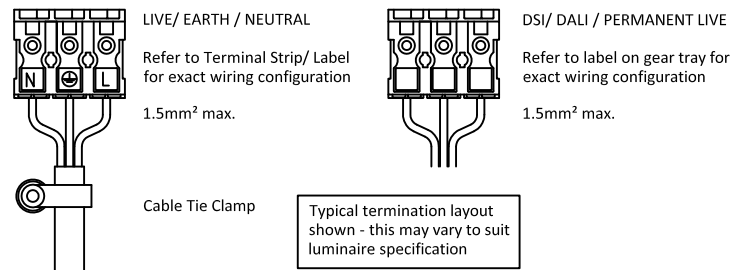
DO NOT USE POWER TOOLS FOR ANY FIXINGS

Dimensions



LED Tray & Driver connection polarity must be kept RED to RED & BLACK to BLACK
Retention cords must also be connected to body via M4x6 Pan Pozi screws

Connections



In case of doubt of connection or dimming protocol visit the electronic control gear manufacturers website for full specification and technical details, warranty information and support - control gear manufacturer name and reference part number is always printed on the top of the unit

WARNING ISOLATE SUPPLY

Maintenance

Emergency Information - refer to separate instructions supplied

Luminaires should normally be cleaned in conjunction with the routine lamp replacement program

Painted surfaces and Diffusers can be cleaned by compressed air or with a mild neutral detergent warm water mix (55°C max). Wash gently with a soft clean cloth (without microfibre) and plenty of water. Rinse with clean luke warm water - allow to air dry at room temperature or compressed air

Note - electrical components or cabling must not be exposed to cleaning agent or water. It is always important to disconnect the voltage supply before cleaning the luminaire body

**ISOLATE MAINS SUPPLY
BEFORE REMOVING COVER**

Please be responsible and recycle packaging. This installation guide should be retained for future reference

We reserve the right to amend any product specification without prior notification