

INSTALLATION INSTRUCTIONS

Surface / Suspended Lighting_299Lighting

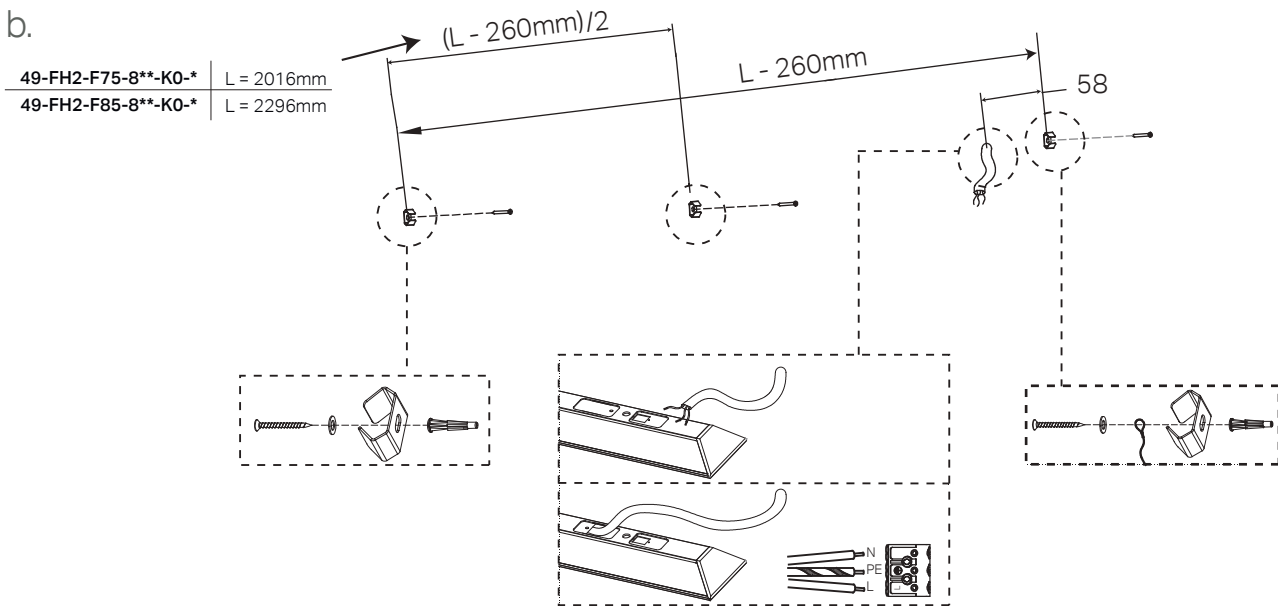
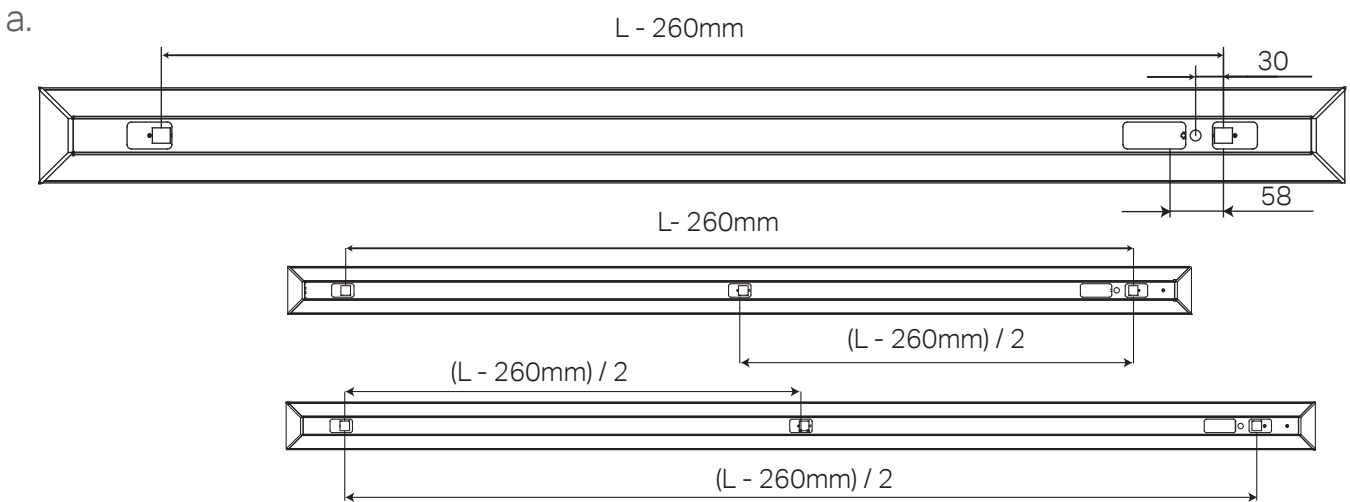
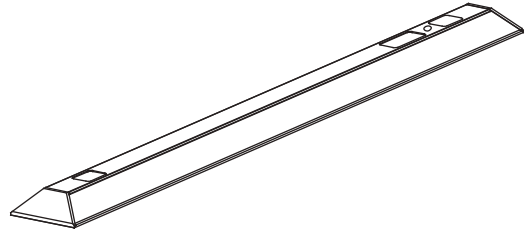
ERIE FAMILY

ERIE FAMILY

INSTALLATION INSTRUCTIONS

L x 37 x 106 mm

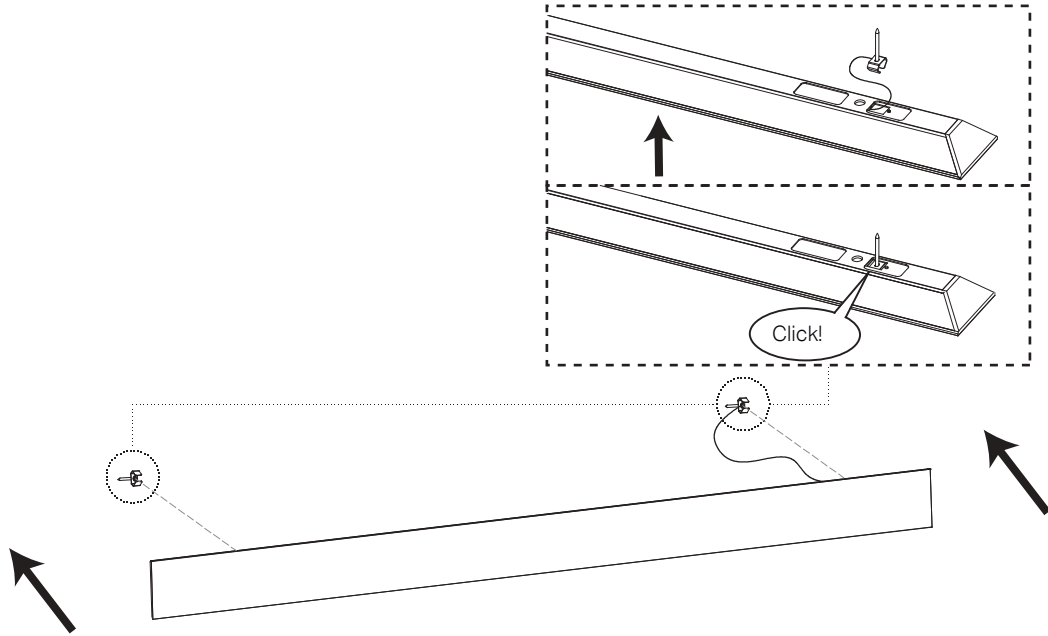
49-FH2-F21-8**-K0-*	L = 616mm
49-FH2-F32-8**-K0-*	L = 896mm
49-FH2-F42-8**-K0-*	L = 1176mm
49-FH2-F53-8**-K0-*	L = 1456mm
49-FH2-F64-8**-K0-*	L = 1736mm
49-FH2-F75-8**-K0-*	L = 2016mm
49-FH2-F85-8**-K0-*	L = 2296mm



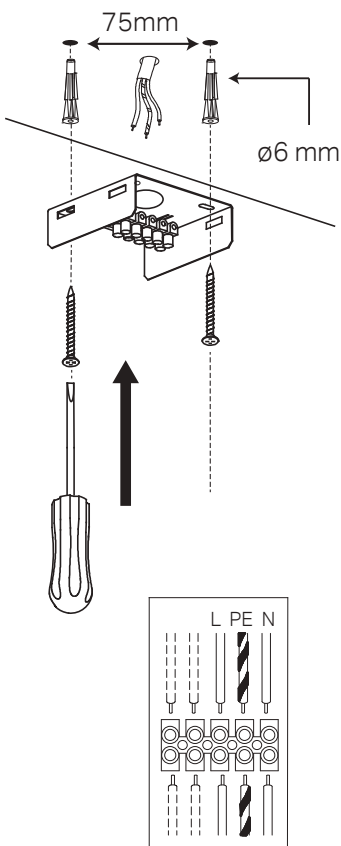
ERIE FAMILY

INSTALLATION INSTRUCTIONS

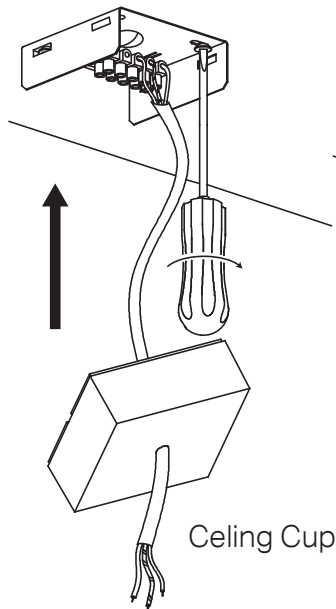
C.



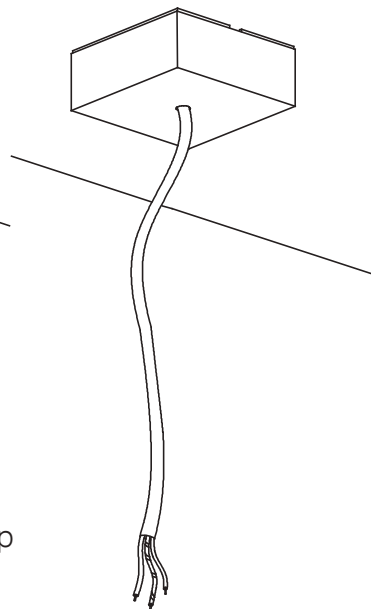
1.



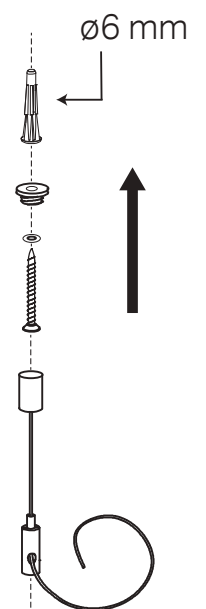
2.



3.



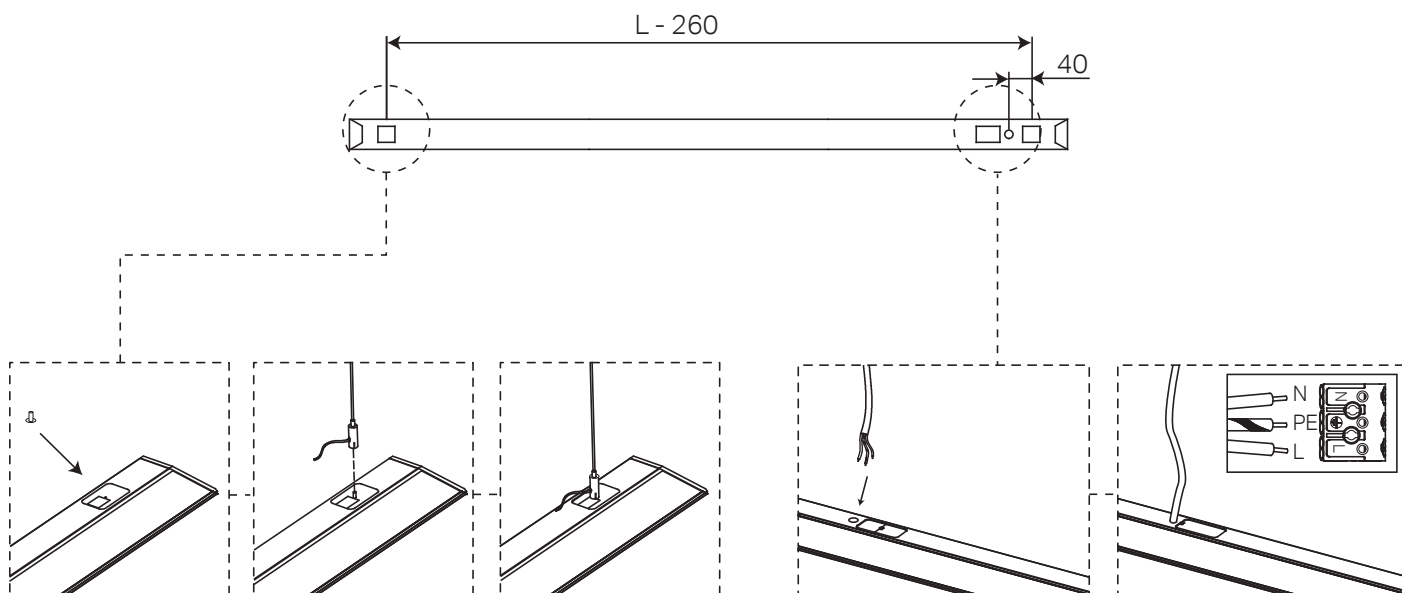
4.



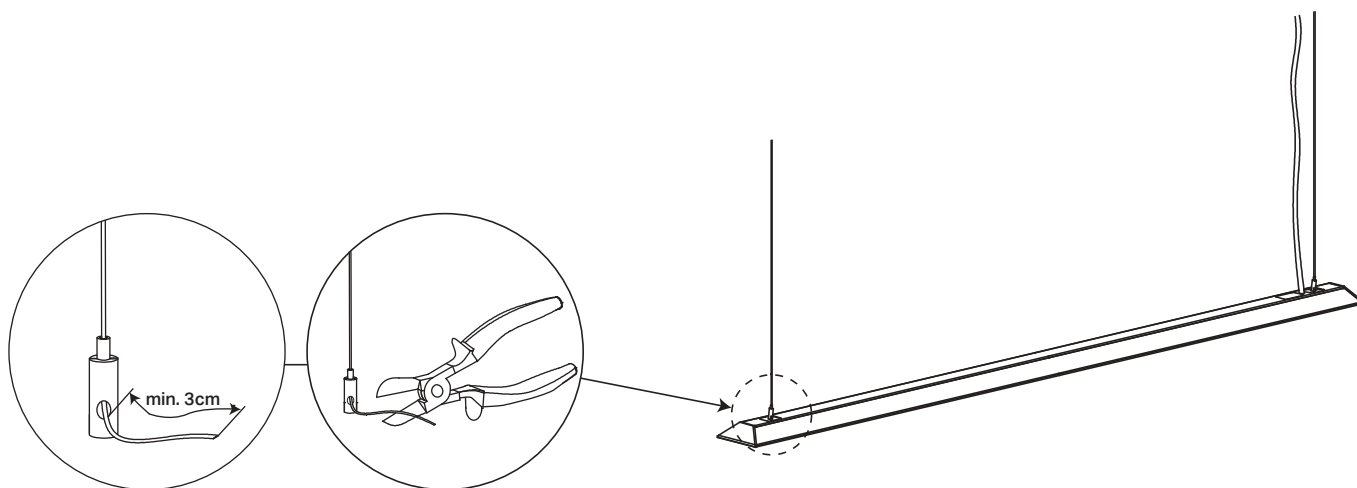
ERIE FAMILY

INSTALLATION INSTRUCTIONS

5.



6.



Safety Notes

The safety of this luminaire is guaranteed only if you comply with these instructions; remember to conserve in a safe place
 Ensure adequate voltage and frequency is supplied to the equipment
 Disconnect from the main power before performing or any maintenance
 The installation should be carried out by qualified personnel
 For indoor use only

