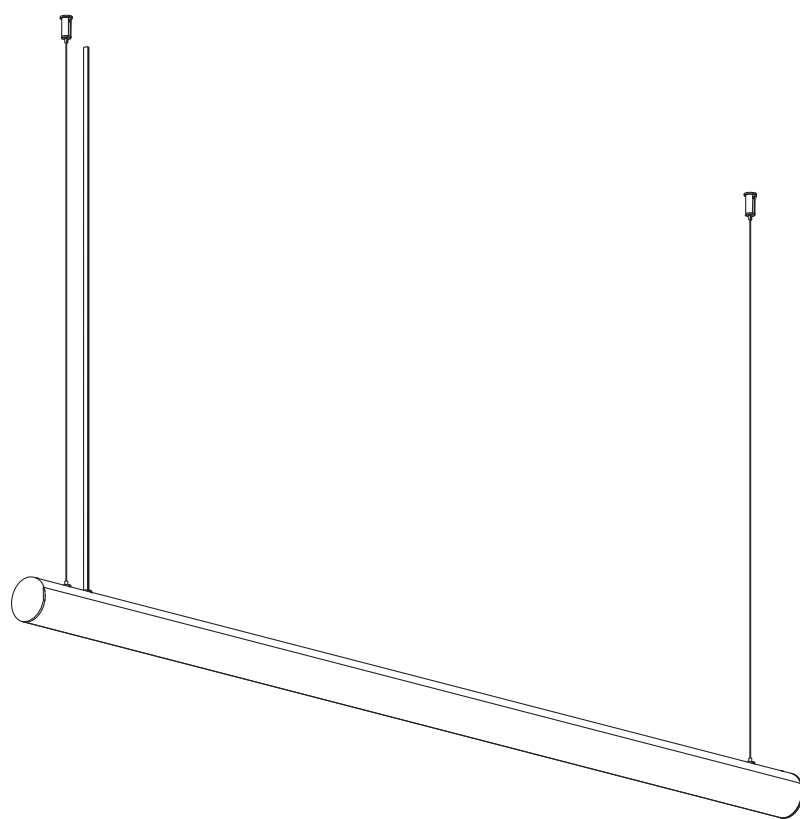


Nile60 Suspended

Mounting instructions

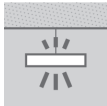


SAFETY NOTES

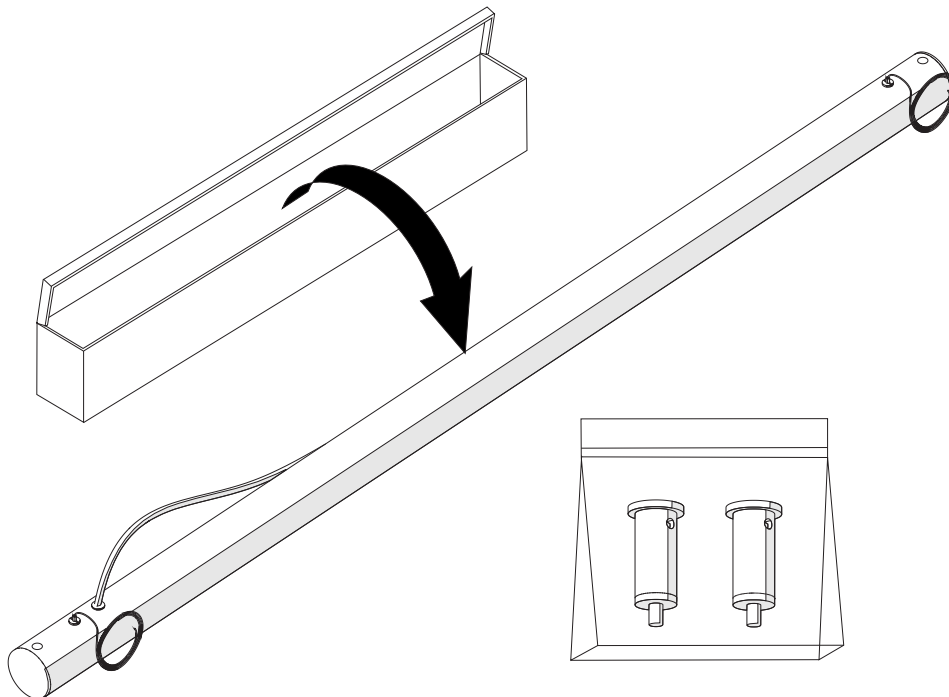
1. Only competent persons are allowed to perform mounting and maintenance. **2.** Before installation make sure that there is no voltage in the network. **3.** Use only original parts for repairs or maintenance. **4.** Use only fixtures with proper IP protection in wet rooms. **5.** Before servicing, it is obligatory to disconnect the fixture from the network voltage. **6.** Manufacturer does not guarantee for damage caused by incorrect installation and/or use. **7.** Any operation performed on the fixture that is not in accordance with instructions will void manufacturer's warranty. **8.** The light source contained in this luminaire shall only be replaced by the manufacturer or his service agent or a similar qualified person. **9.** If the external flexible cable or cord of this luminaire is damaged, it shall be replaced by a special cord or cord exclusively available from the manufacturer or his service agent. **10.** If the luminaire is supplied with the external cable: Single luminaire without dimming or Emergency option 3x0,75mm² or single luminaire with dimming or Emergency option 5x0,75mm² or for a System luminaire without dimming or Emergency option 3x1,5mm² System luminaire without dimming or Emergency option 5x1,5mm² the cable must be connected to the mains power supply of 230V with the push-wire terminal block that supports from 0,75mm² to 1,5mm².



CAUTION
RISK OF ELECTRIC
SHOCK

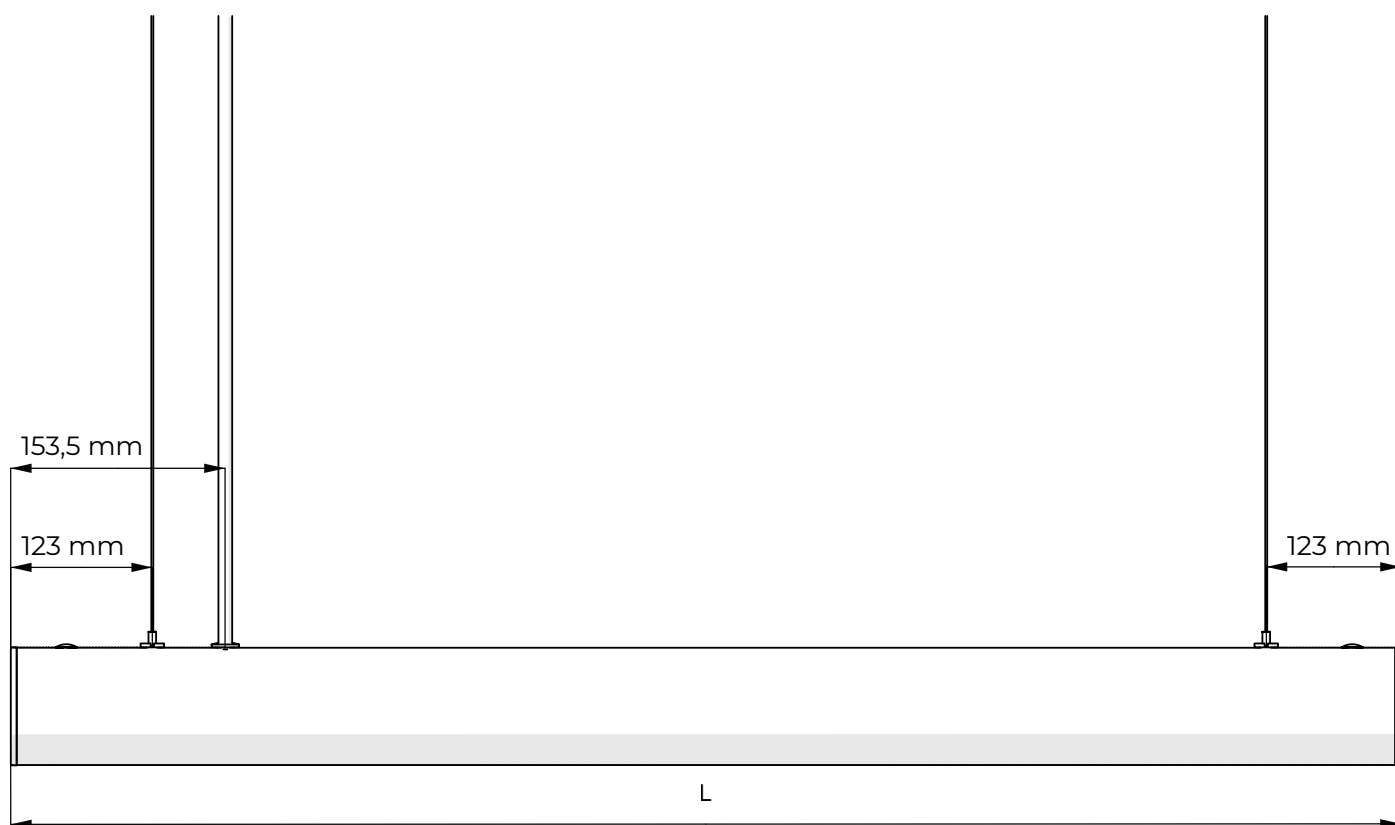


INSIDE THE BOX

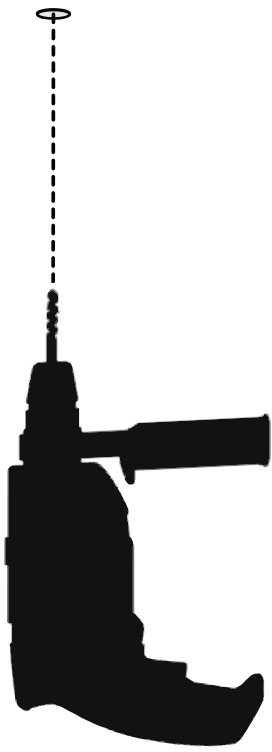


MOUNTING

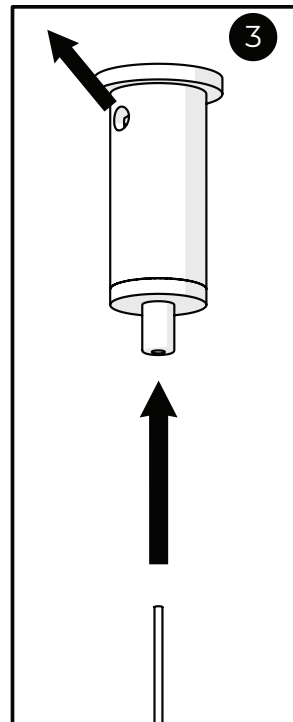
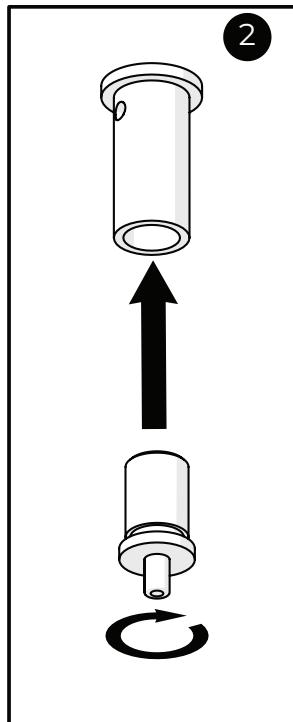
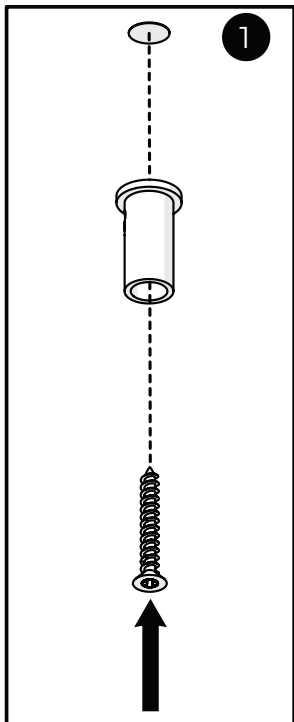
Dimensions



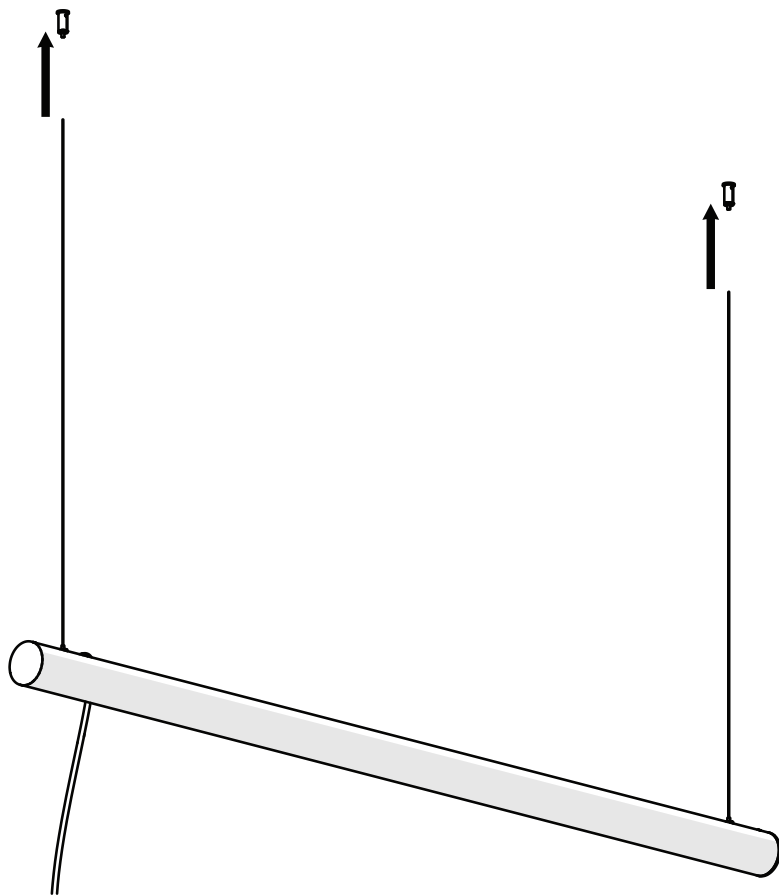
1



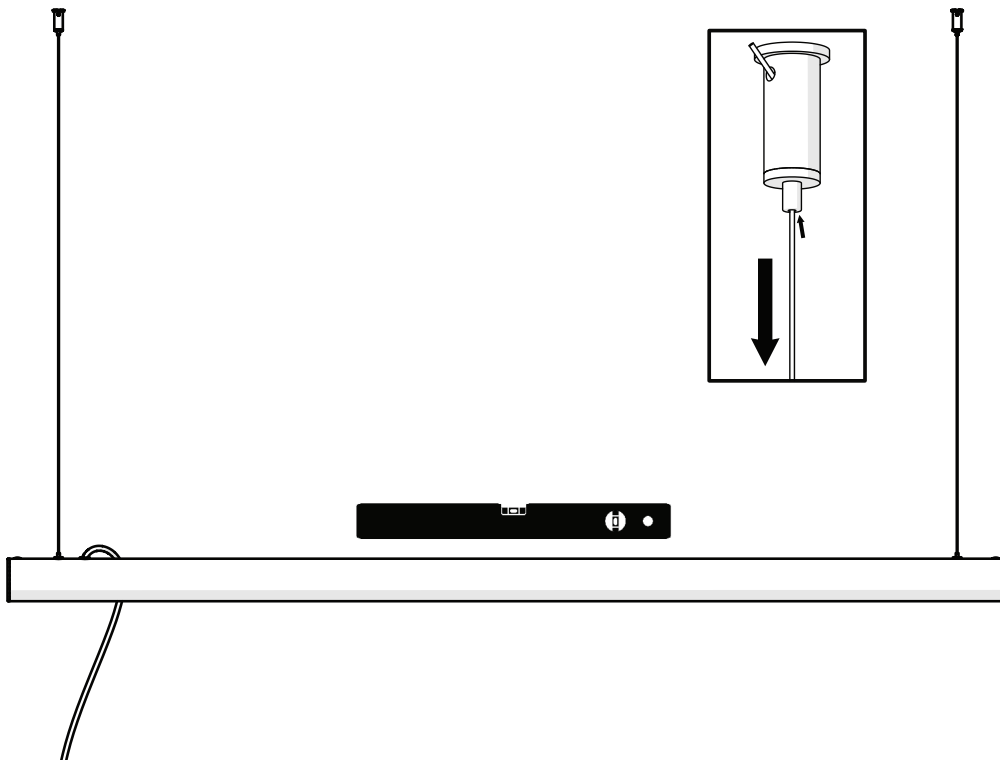
2



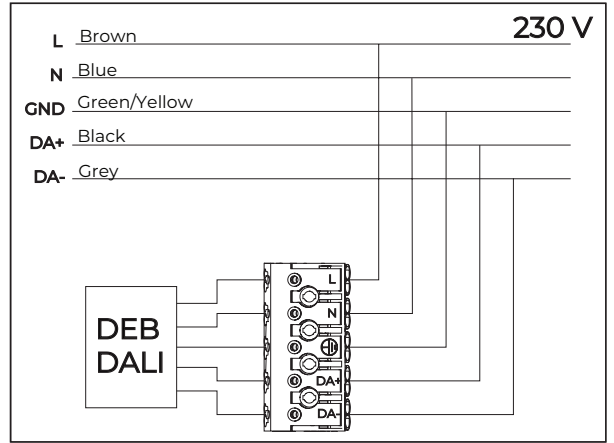
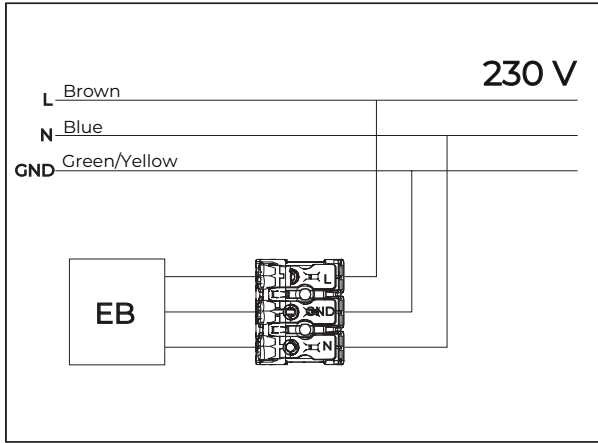
3



4



5



6

