

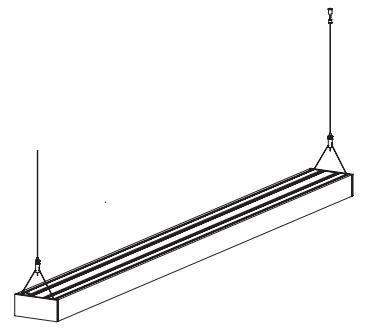
INSTALLATION INSTRUCTIONS
Suspended Lighting _ 299 Lighting

OKA
SUSPENDED

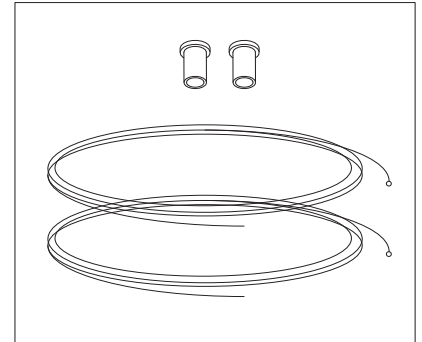
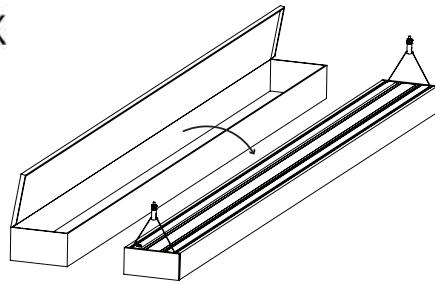
OKA SUSPENDED

INSTALLATION INSTRUCTIONS

Direct/Direct-Indirect_299Lighting

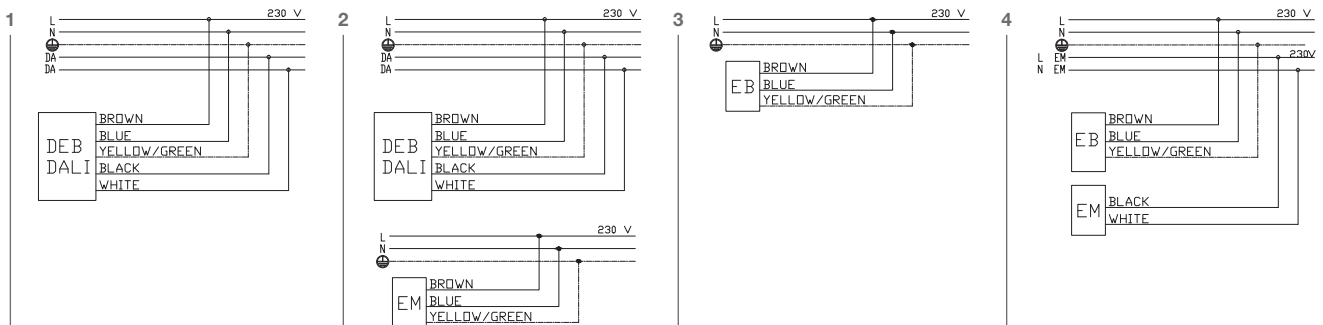


Inside the box



Suspension kit box

Electrical Connection



Safety Message

- Only competent persons are allowed to perform mounting and maintenance.
- Before installation make sure that there is no voltage in the network.
- Use only original parts for repairs or maintenance.
- Use only fixtures with proper IP protection in wet rooms.
- Before servicing, it is obligatory to disconnect the fixture from the network voltage.
- Manufacturer does not guarantee for damage caused by incorrect installation and/or use.
- Any operation performed on the fixture that is not in accordance with instructions will void manufacturer's warranty.

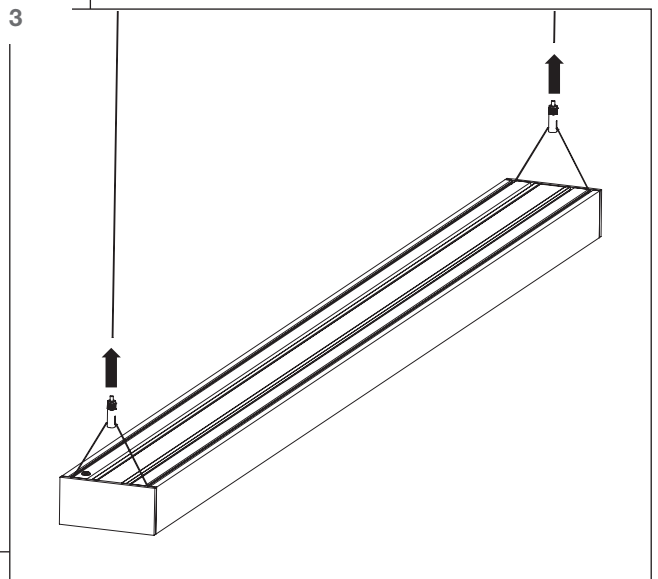
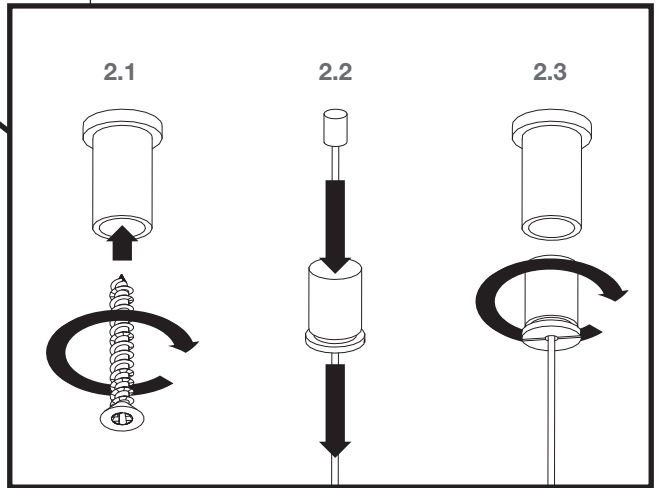
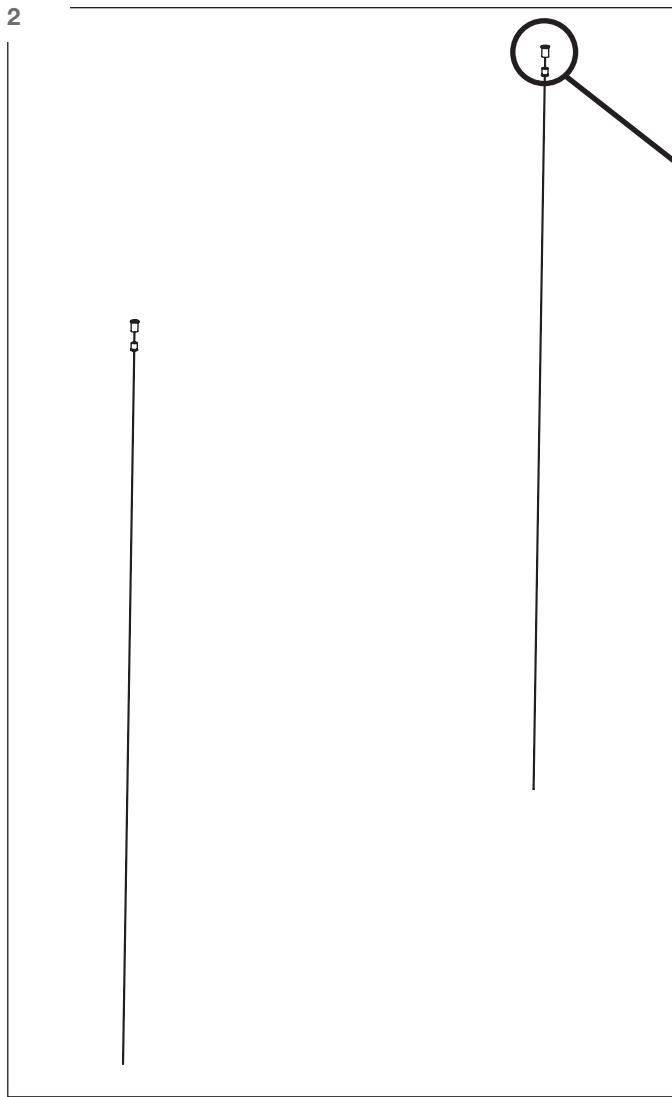
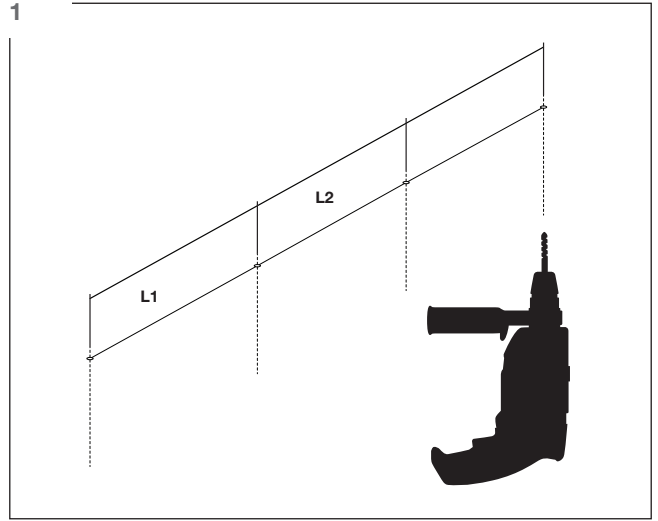
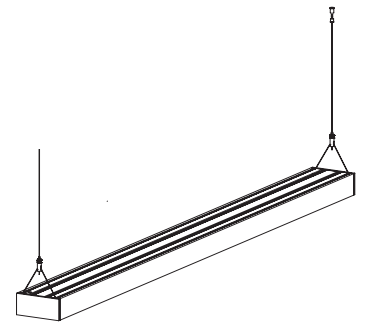


OKA SUSPENDED

INSTALLATION INSTRUCTIONS

Direct/Direct-Indirect_299Lighting

Mounting

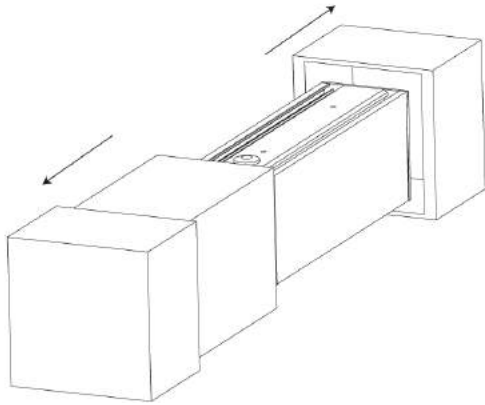


OKA SUSPENDED

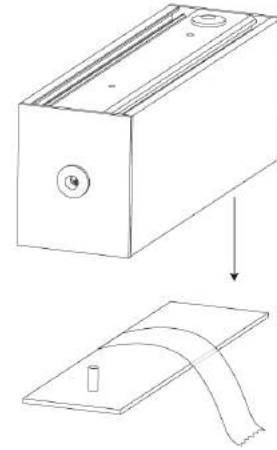
INSTALLATION INSTRUCTIONS

Direct/Direct-Indirect_299Lighting

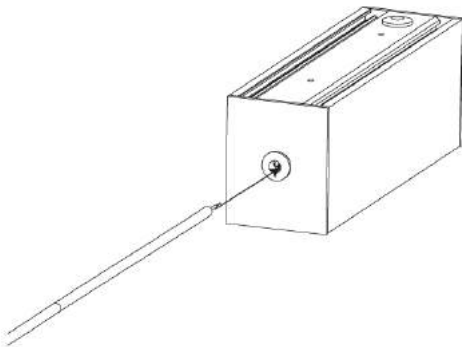
1.



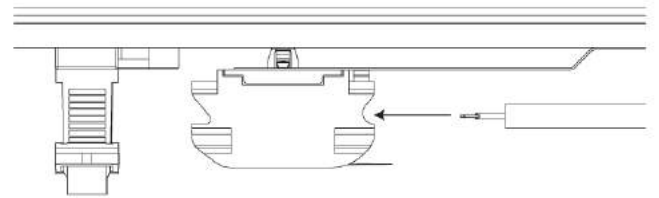
2.



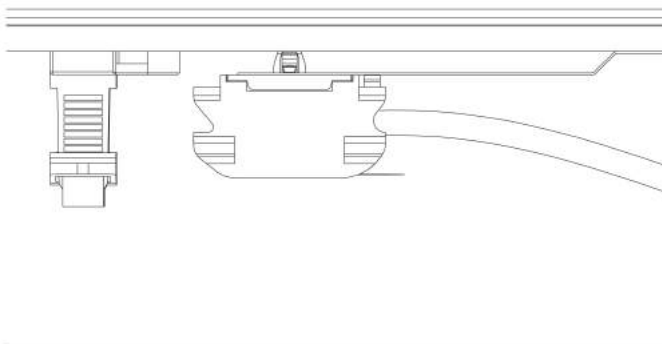
3.



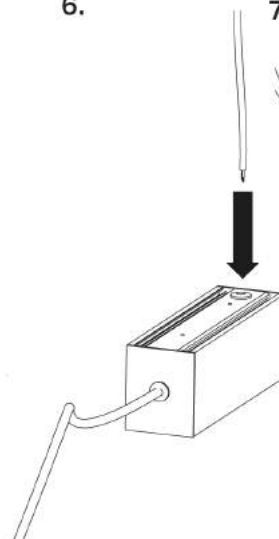
4.



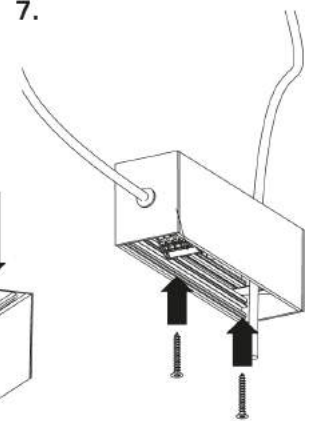
5.

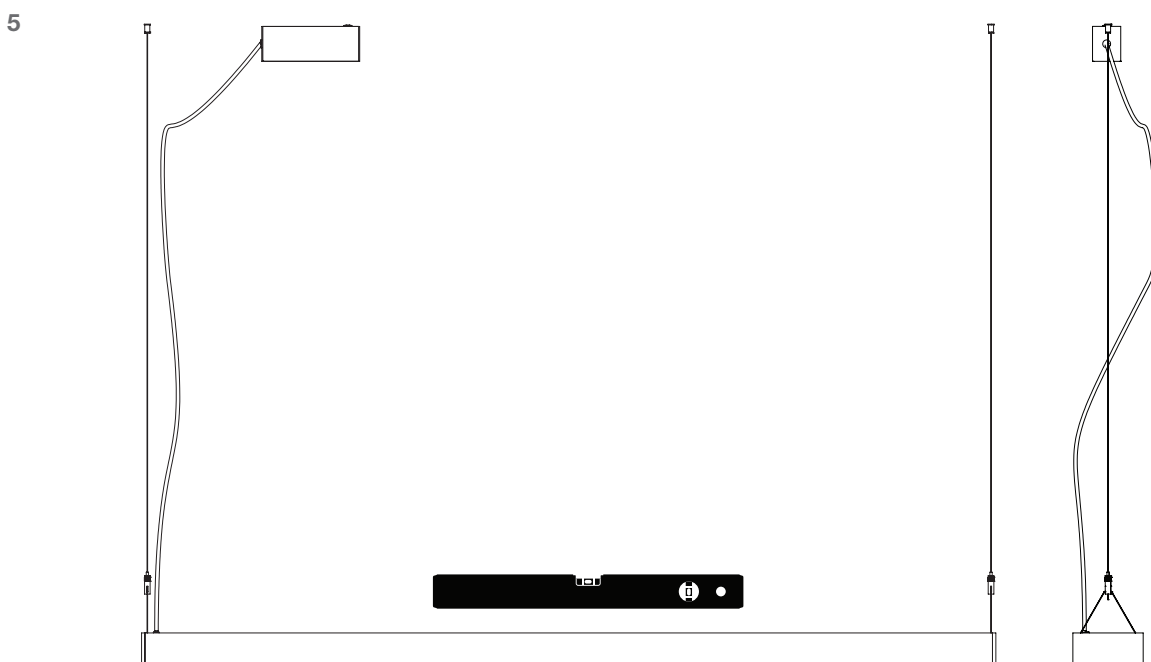
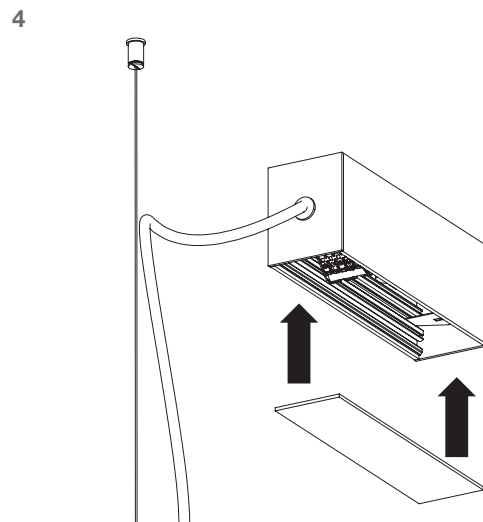
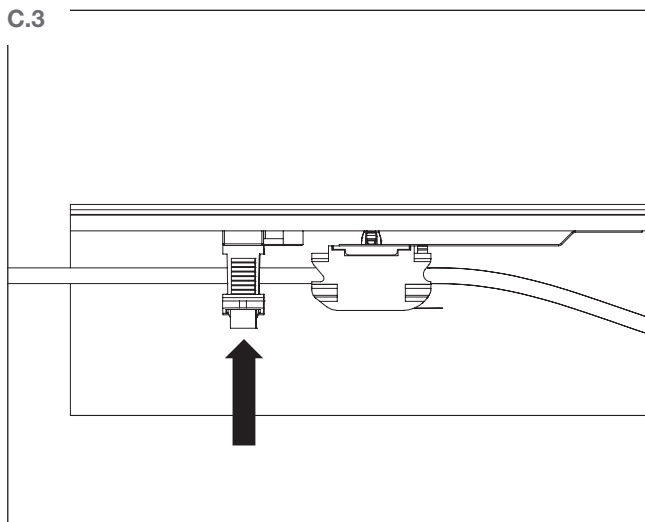
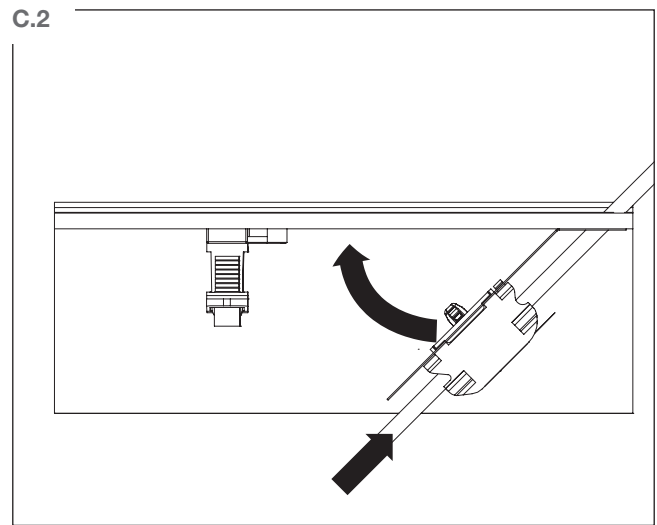
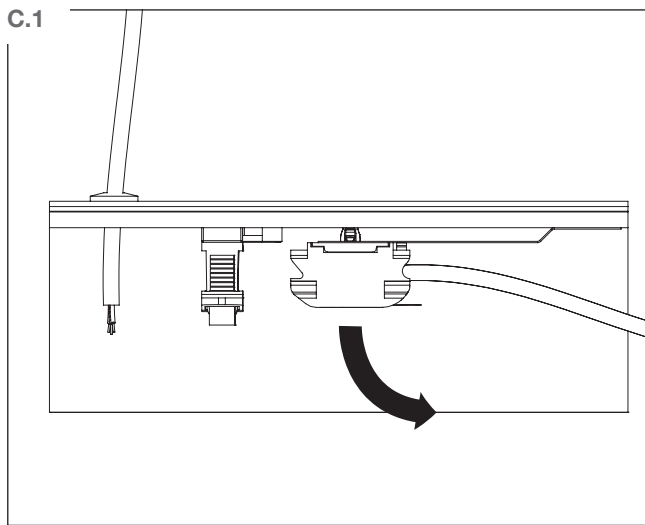


6.



7.





OKA SUSPENDED

INSTALLATION INSTRUCTIONS

Direct/Direct-Indirect_299Lighting

