

---

## INSTALLATION INSTRUCTIONS

Linear Lighting \_ 299 Lighting

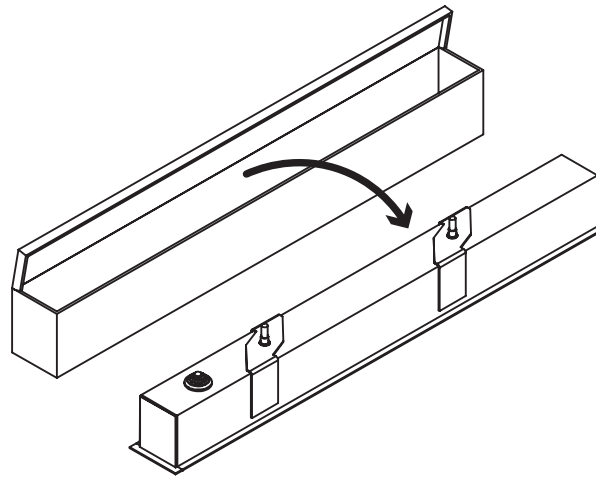
# RIO RECESSED TRIM

# RIO RECESSED

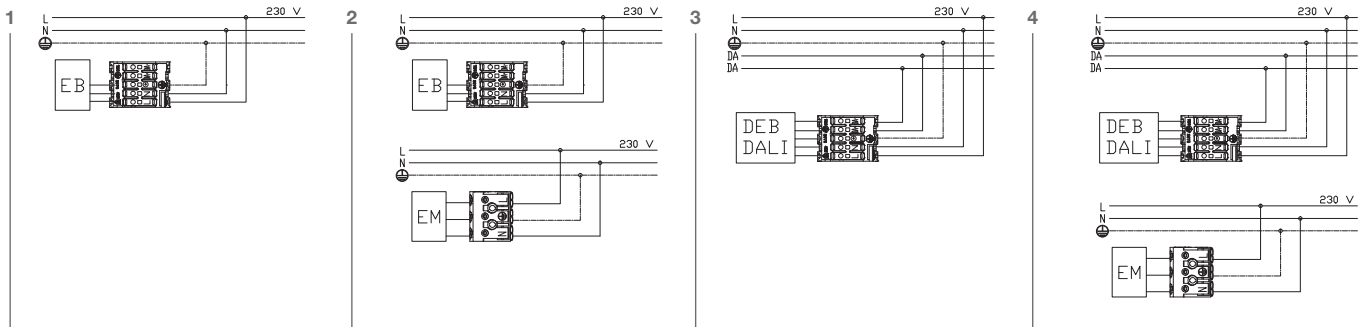
## INSTALLATION INSTRUCTIONS

Direct\_299Lighting

### Inside the box



### Electrical Connection



#### Safety Message

- Only competent persons are allowed to perform mounting and maintenance.
- Before installation make sure that there is no voltage in the network.
- Use only original parts for repairs or maintenance.
- Use only fixtures with proper IP protection in wet rooms.
- Before servicing, it is obligatory to disconnect the fixture from the network voltage.
- Manufacturer does not guarantee for damage caused by incorrect installation and/or use.
- Any operation performed on the fixture that is not in accordance with instructions will void manufacturer's warranty.

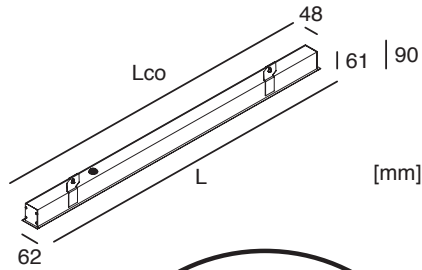
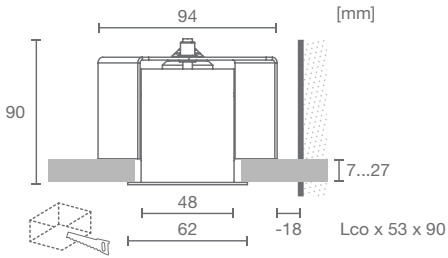


# RIO RECESSED

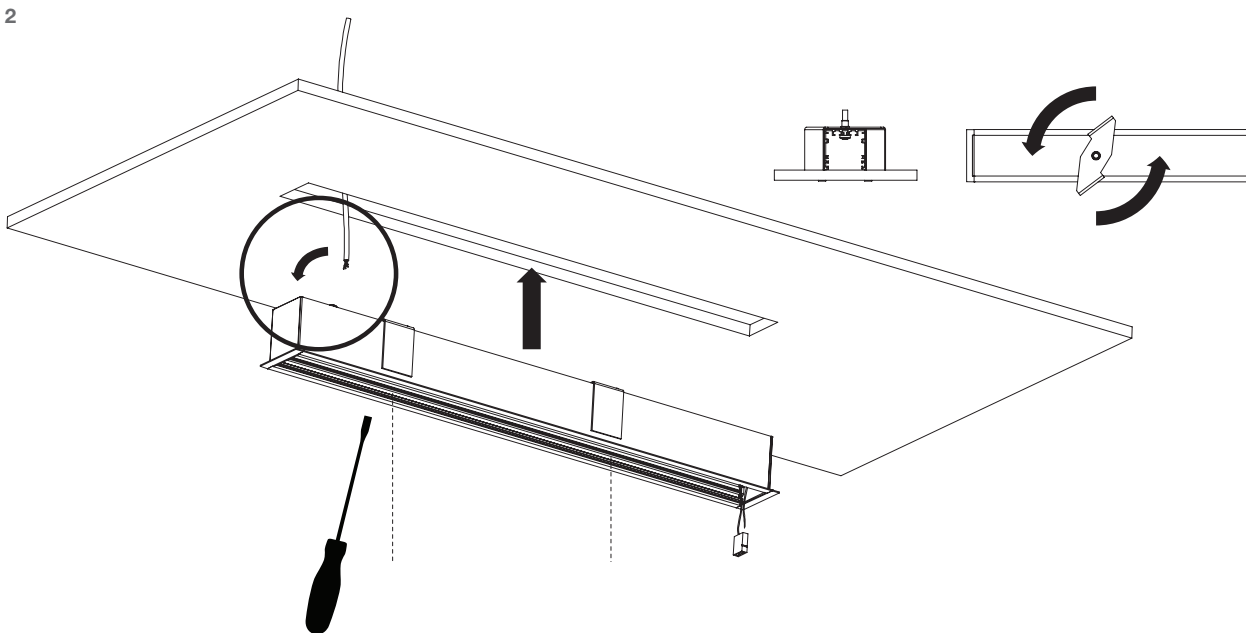
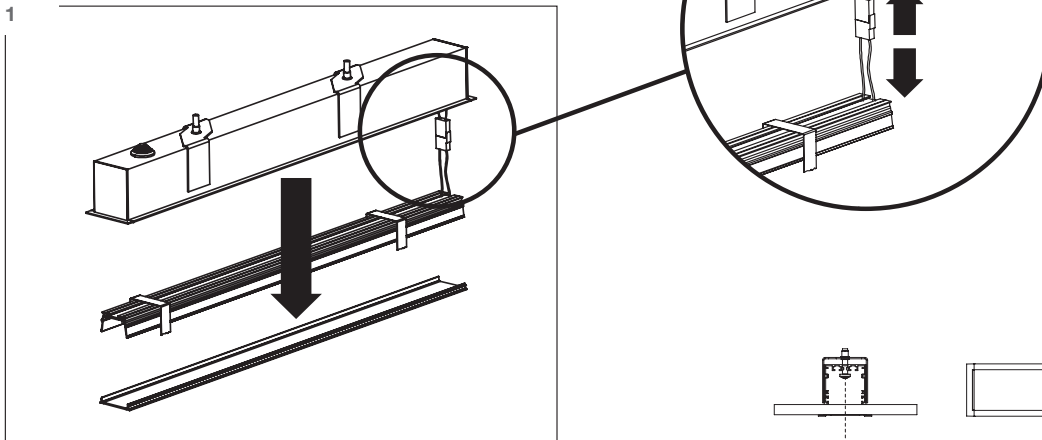
## INSTALLATION INSTRUCTIONS

Direct\_299Lighting

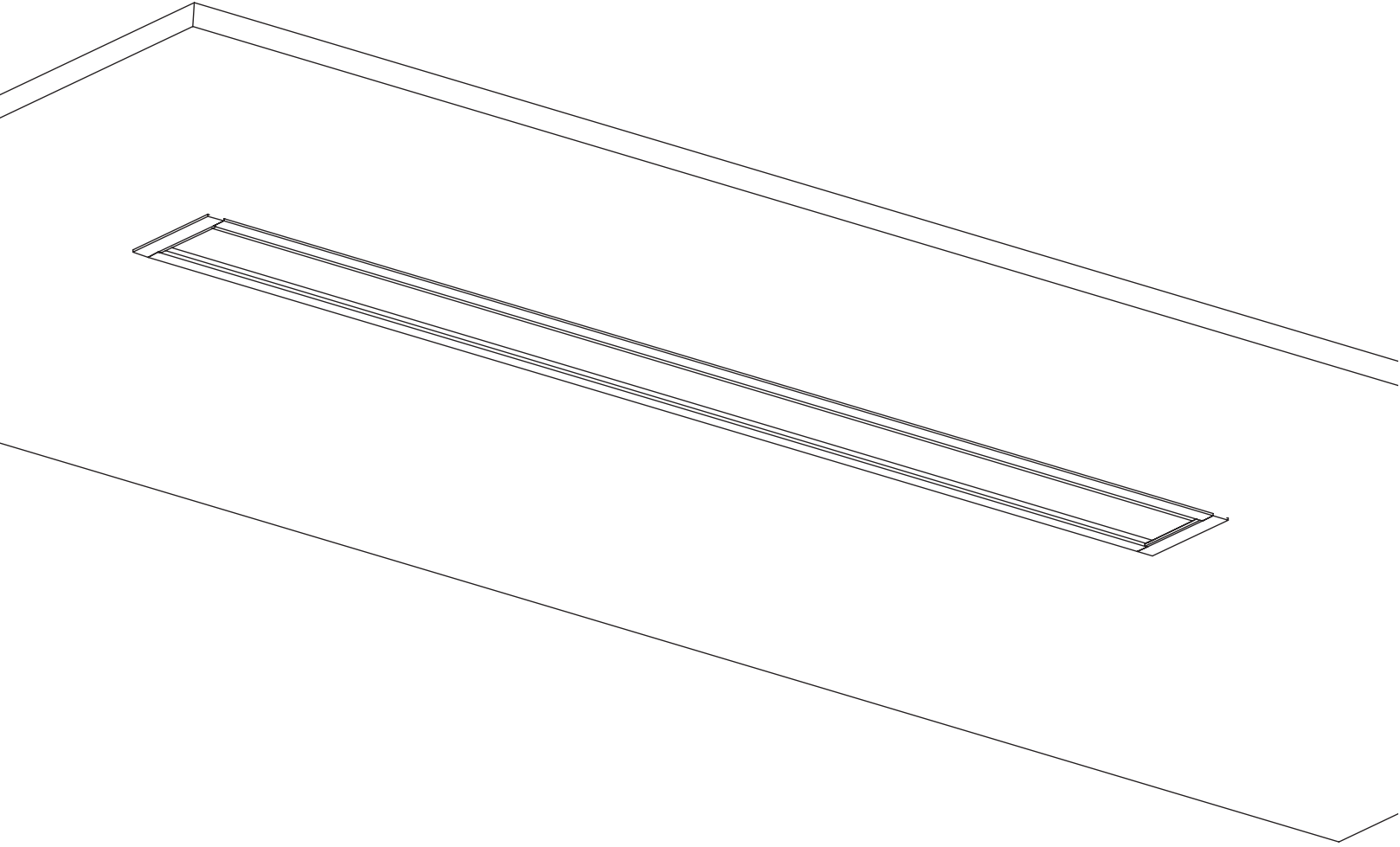
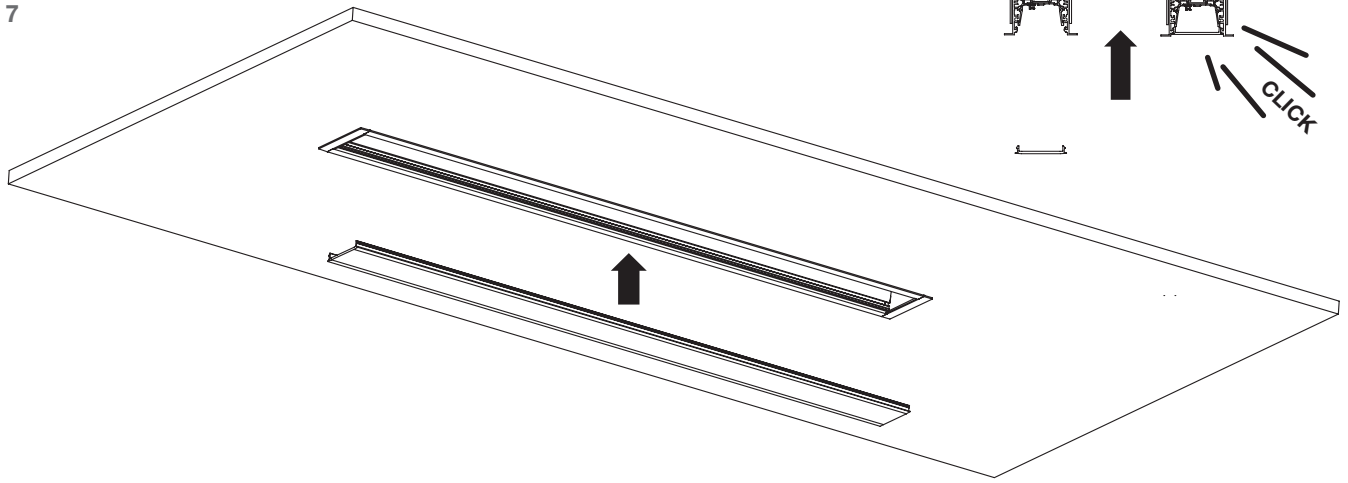
### Dimensions



### Assembling



7



## RIO RECESSED

### INSTALLATION INSTRUCTIONS

Direct\_299Lighting

