

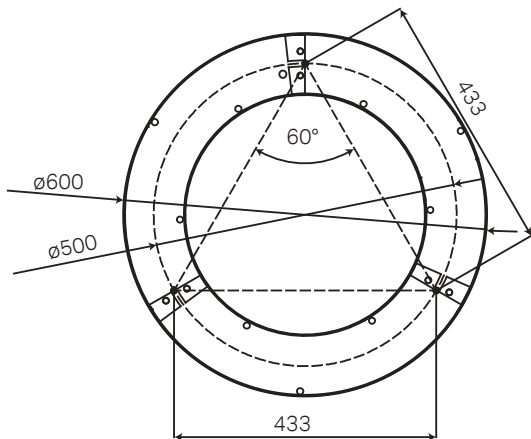
INSTALLATION INSTRUCTIONS
Suspended Lighting_299Lighting

RYDAL
SUSPENDED

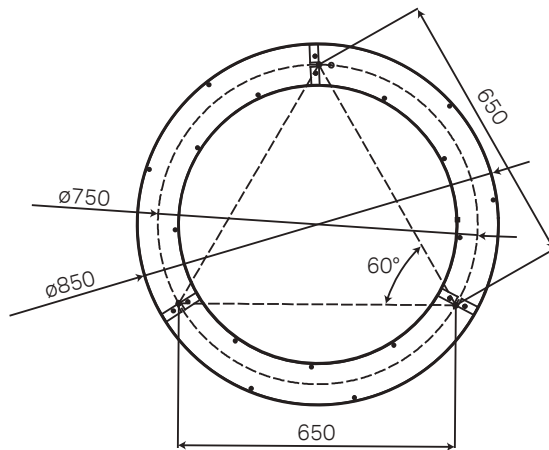
RYDAL SUSPENDED

INSTALLATION INSTRUCTIONS

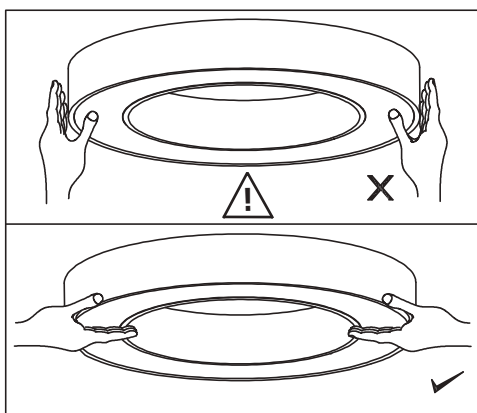
ø600 | ø850 Diameters



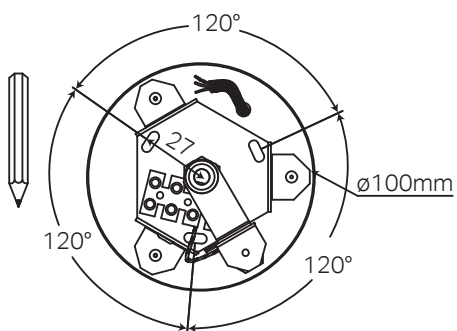
ø600 x 87 mm



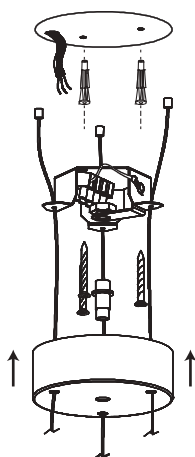
ø850 x 87 mm



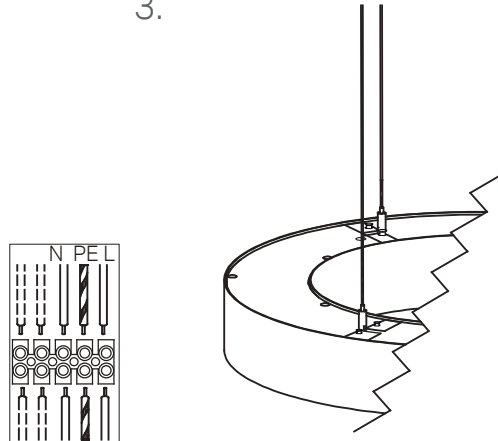
1. Suspension Set



2.

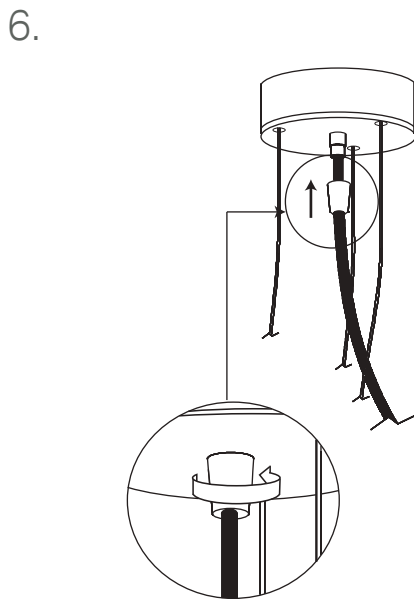
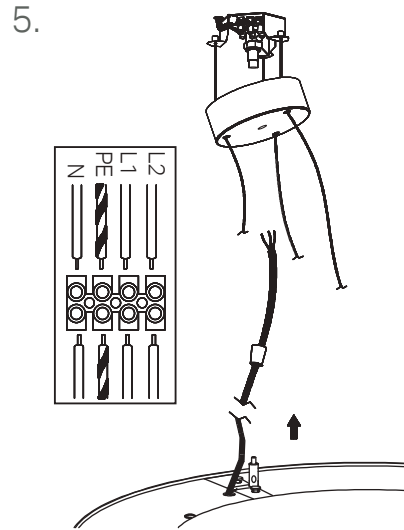
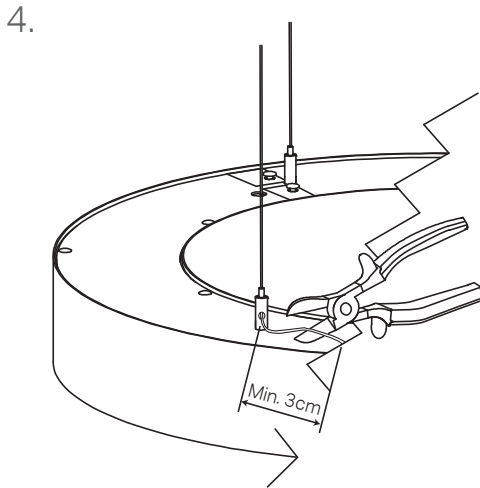


3.



RYDAL SUSPENDED

INSTALLATION INSTRUCTIONS



Safety Notes

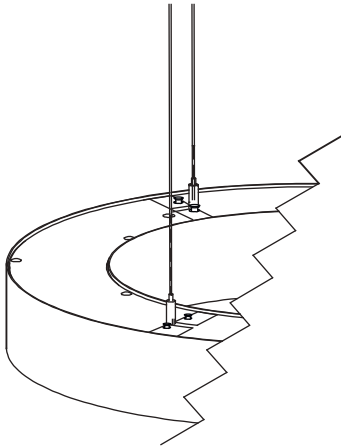
The safety of this luminaire is guaranteed only if you comply with these instructions; remember to conserve in a safe place
 Ensure adequate voltage and frequency is supplied to the equipment
 Disconnect from the main power before performing or any maintenance
 The installation should be carried out by qualified personnel
 For indoor use only



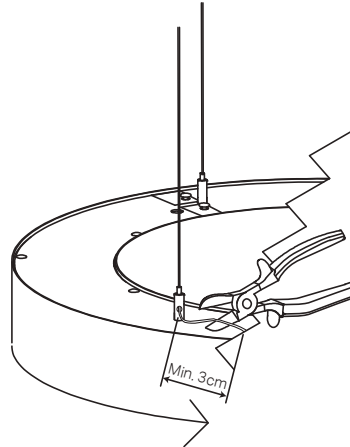
RYDAL SUSPENDED

INSTALLATION INSTRUCTIONS

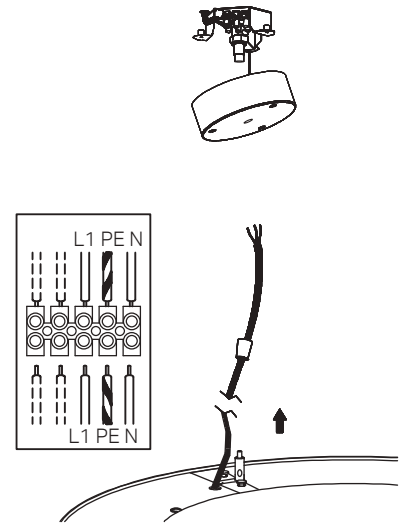
3.



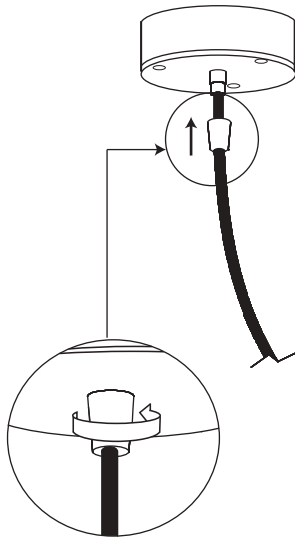
4.



5.



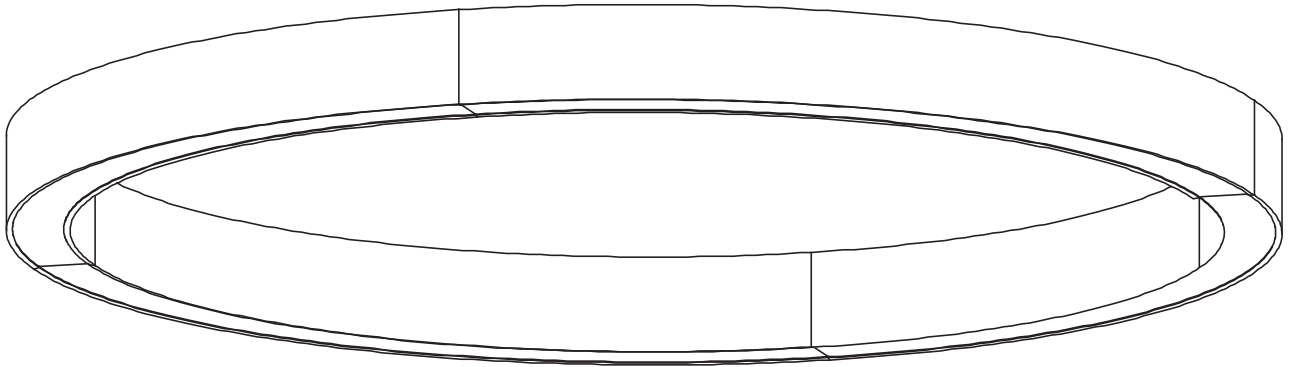
6.



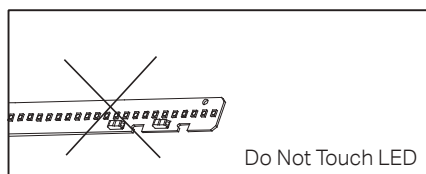
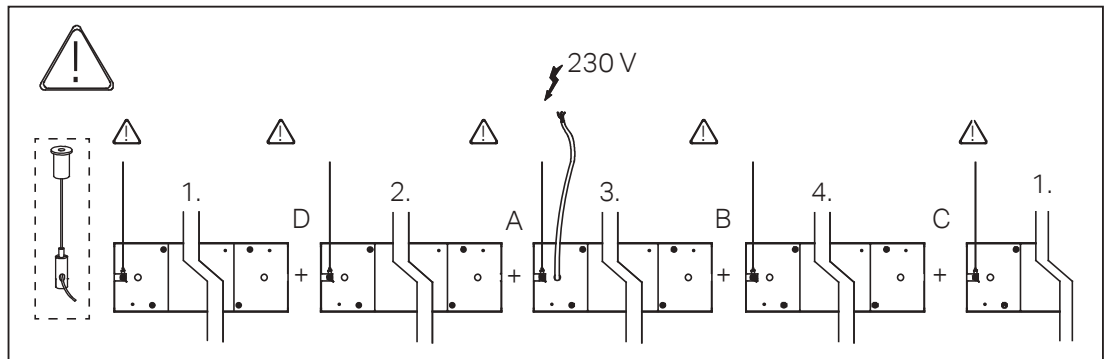
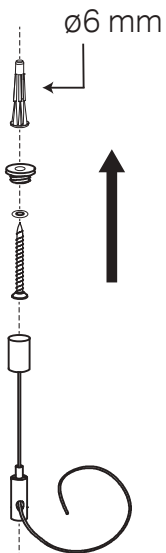
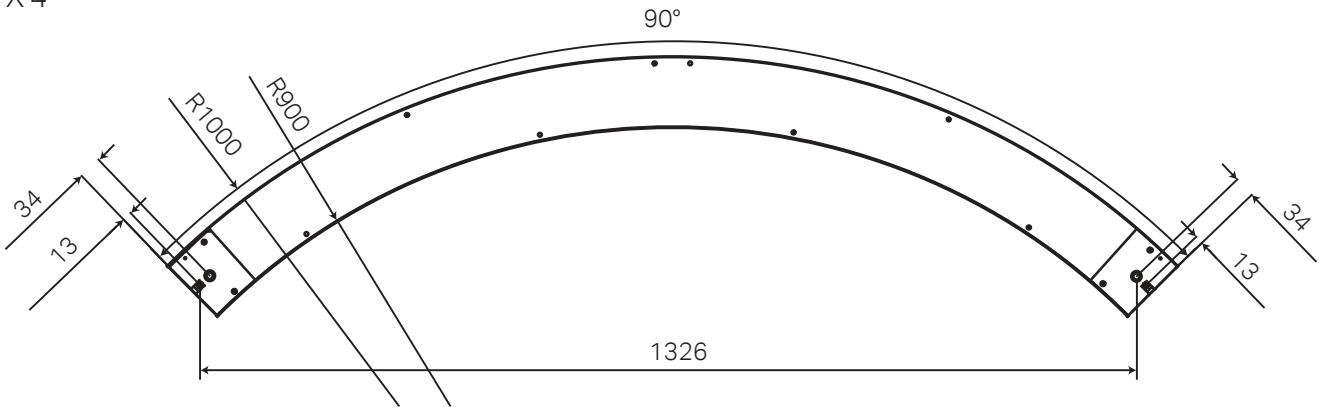
RYDAL SUSPENDED

INSTALLATION INSTRUCTIONS

1. ø2000 Diameter

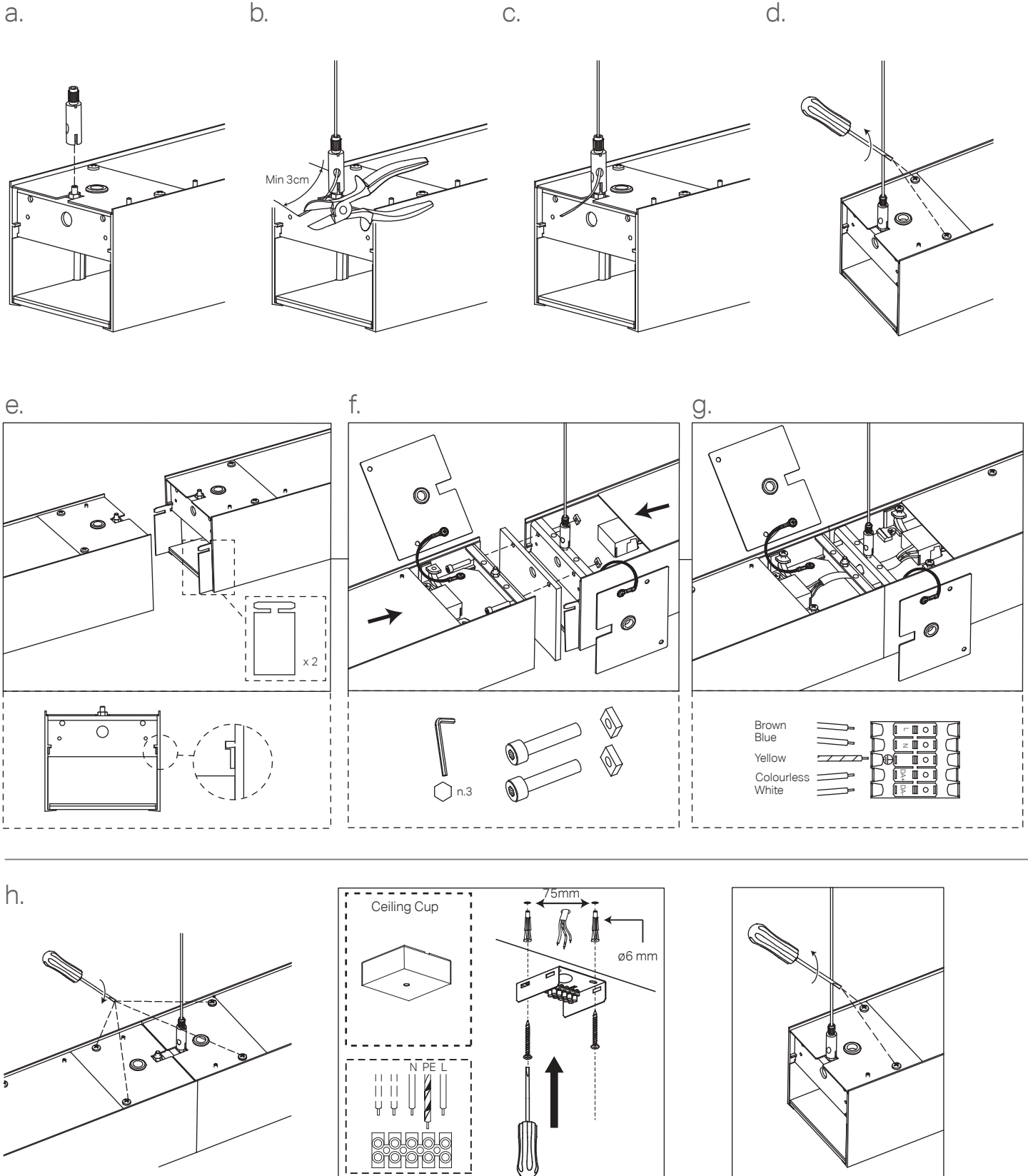


X 4



RYDAL SUSPENDED

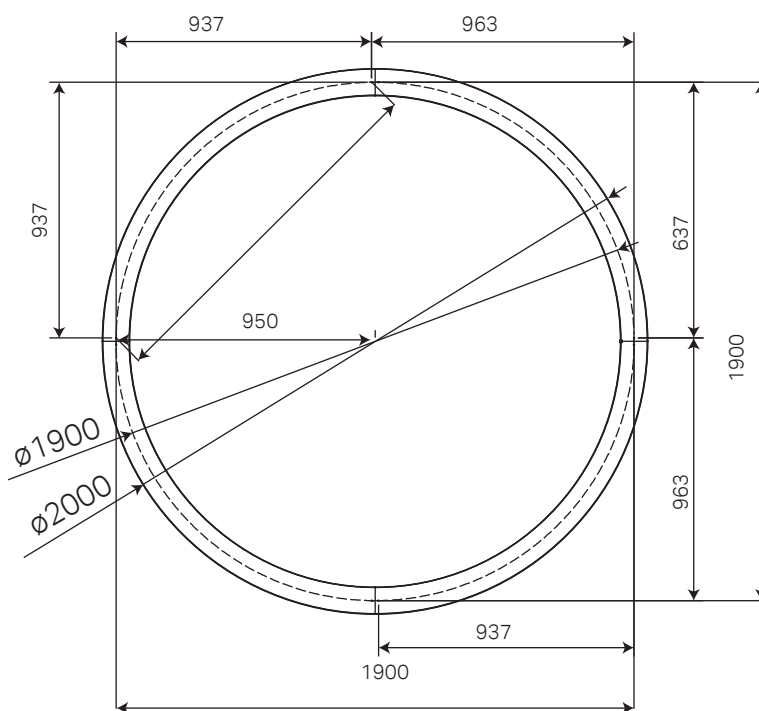
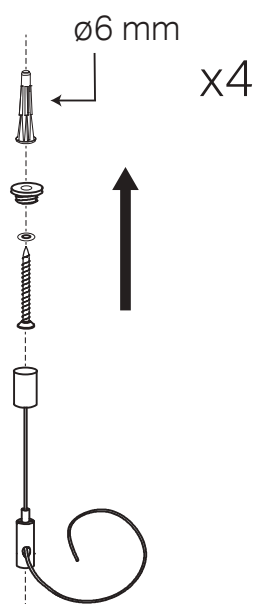
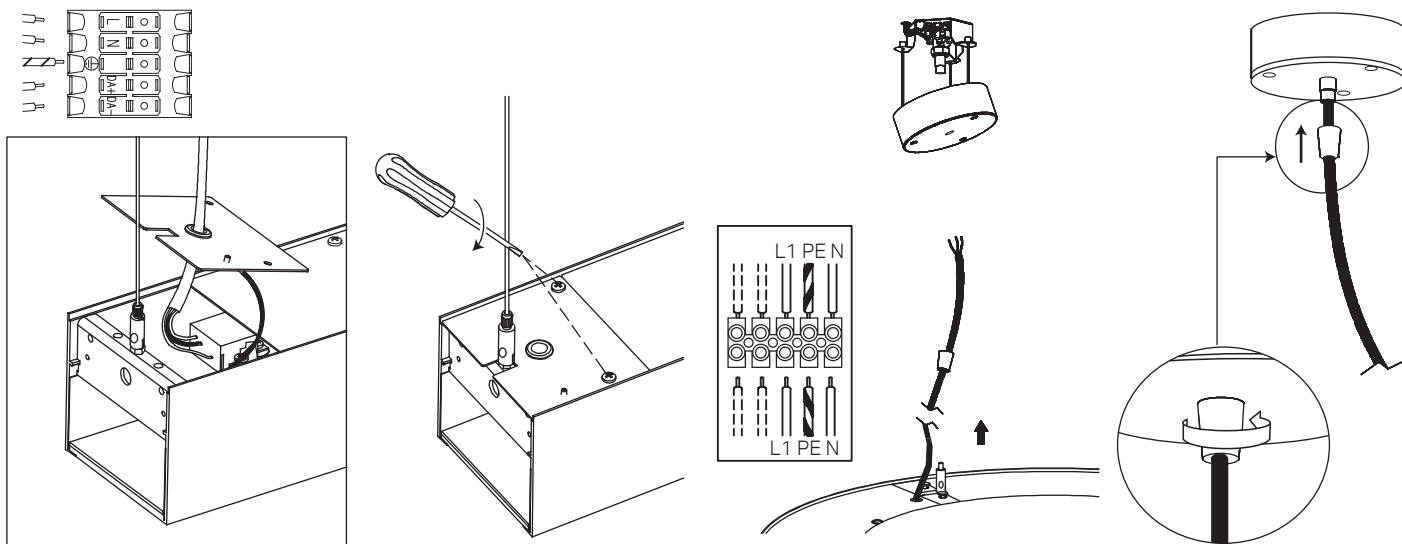
INSTALLATION INSTRUCTIONS



RYDAL SUSPENDED

INSTALLATION INSTRUCTIONS

i.



Safety Notes

The safety of this luminaire is guaranteed only if you comply with these instructions; remember to conserve in a safe place
 Ensure adequate voltage and frequency is supplied to the equipment
 Disconnect from the main power before performing or any maintenance
 The installation should be carried out by qualified personnel
 For indoor use only

