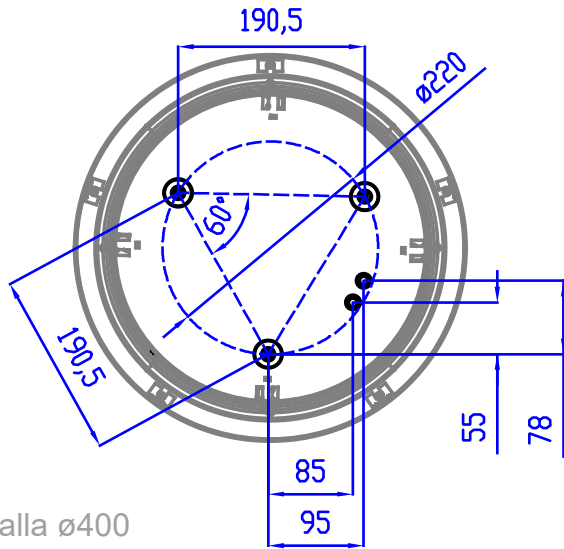
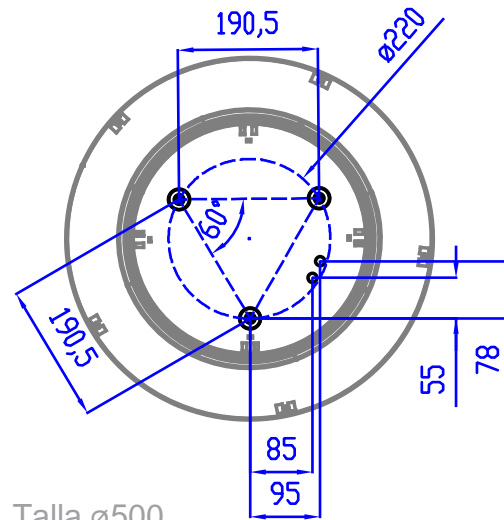


INSTALLATION INSTRUCTIONS
299 Lighting

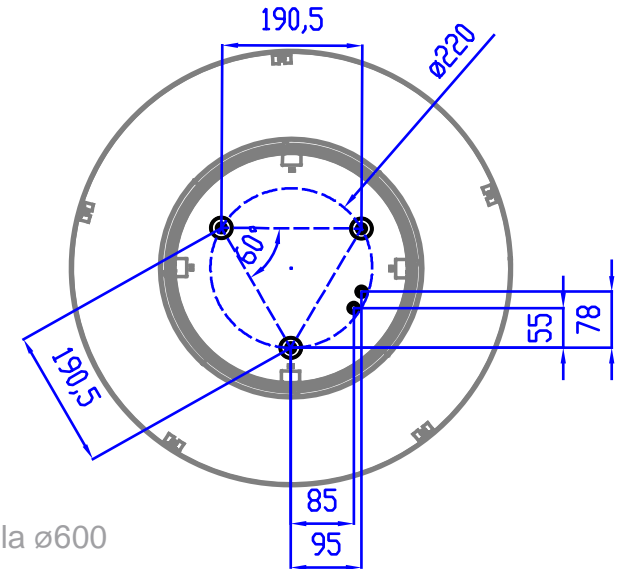
**TALLA
FAMILY**



Talla ø400

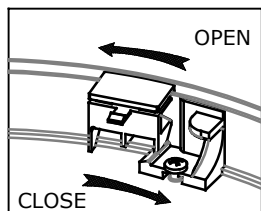
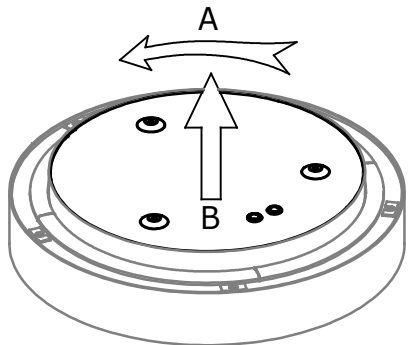


Talla ø500

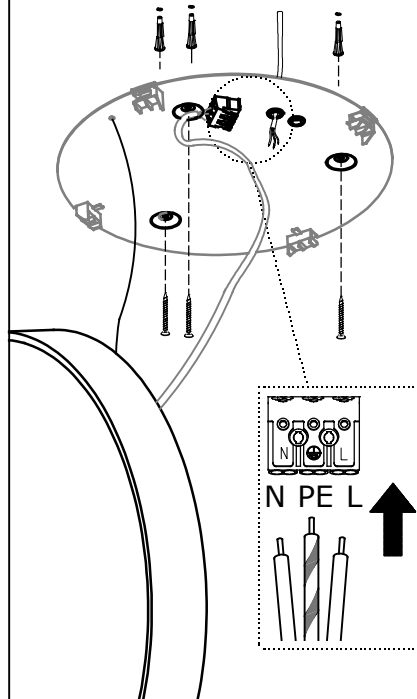


Talla ø600

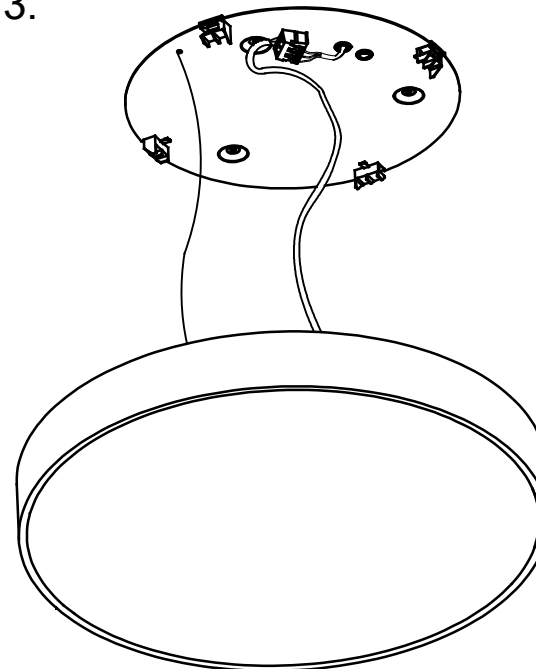
1.



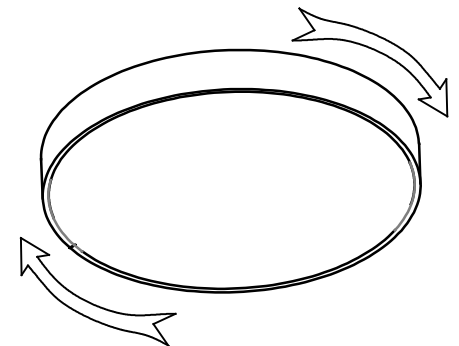
2.



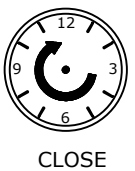
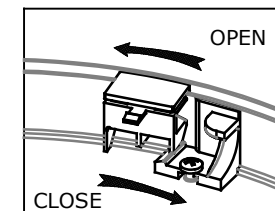
3.

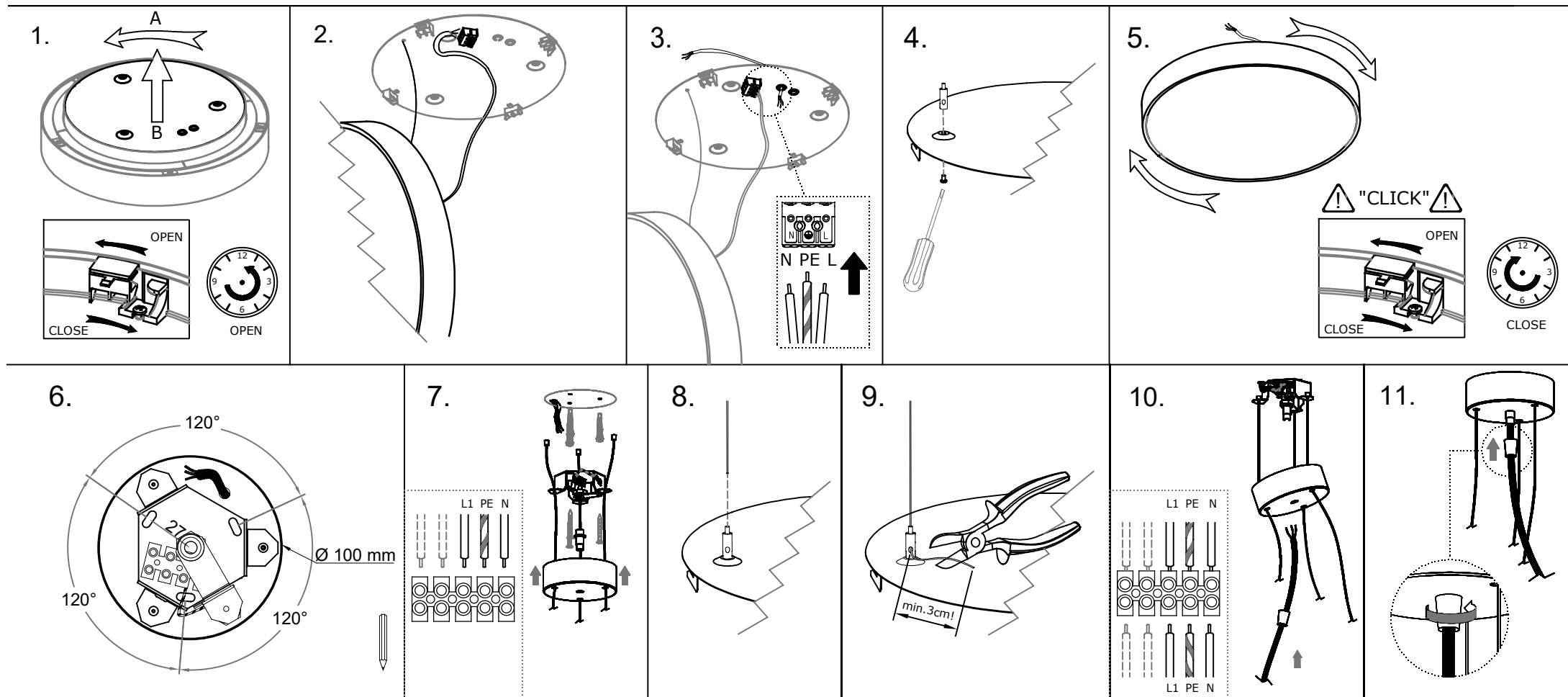


4.



! "CLICK" !





Safety Message

- The manufacturer is not responsible for the incorrect use and assembly of its products.
- The installation may only be carried by authorised specialist. Always switch-off the power supply before carrying out any maintenance.
- The light source of this luminaire may only be replaced by the manufacturer, an authorized service technician or a comparable qualified person.