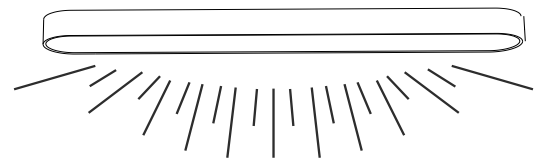


INSTALLATION INSTRUCTIONS
Soft Edge Lighting_299 Lighting

TONGE FAMILY

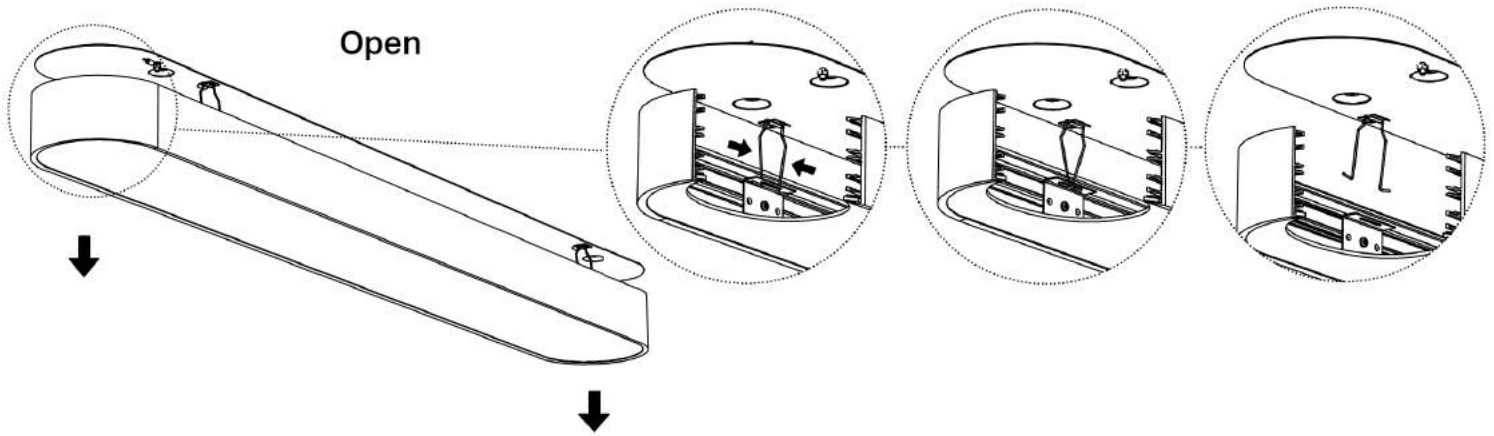


TONGE FAMILY

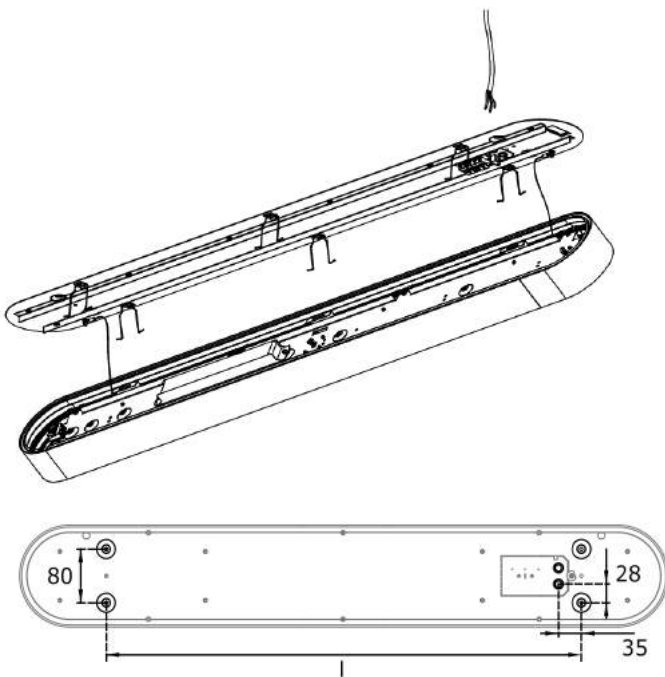
INSTALLATION INSTRUCTIONS

Soft Edge Lighting _ 299 Lighting

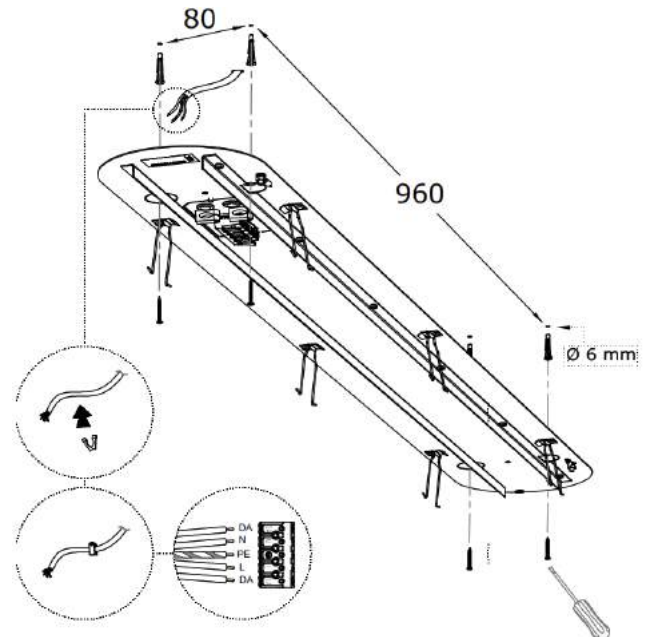
1.1



1.2



1.3

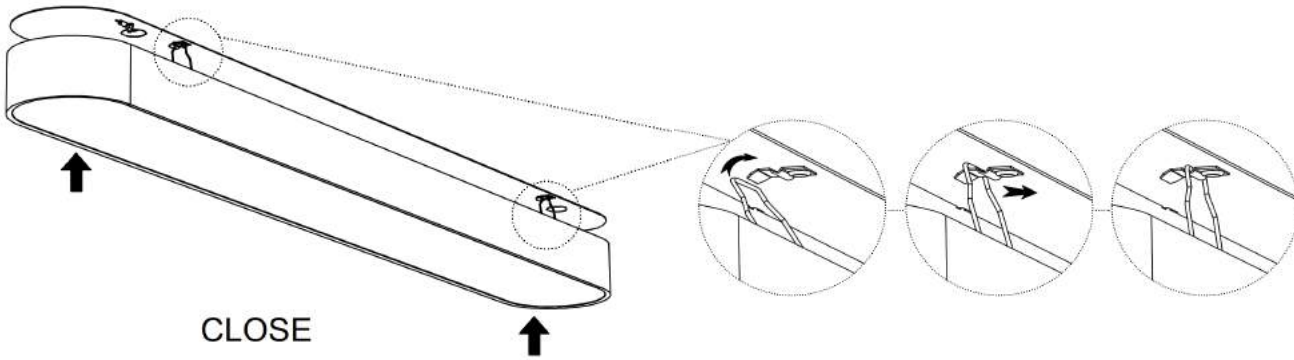


TONGE FAMILY

INSTALLATION INSTRUCTIONS

Soft Edge Lighting _ 299 Lighting

1.4

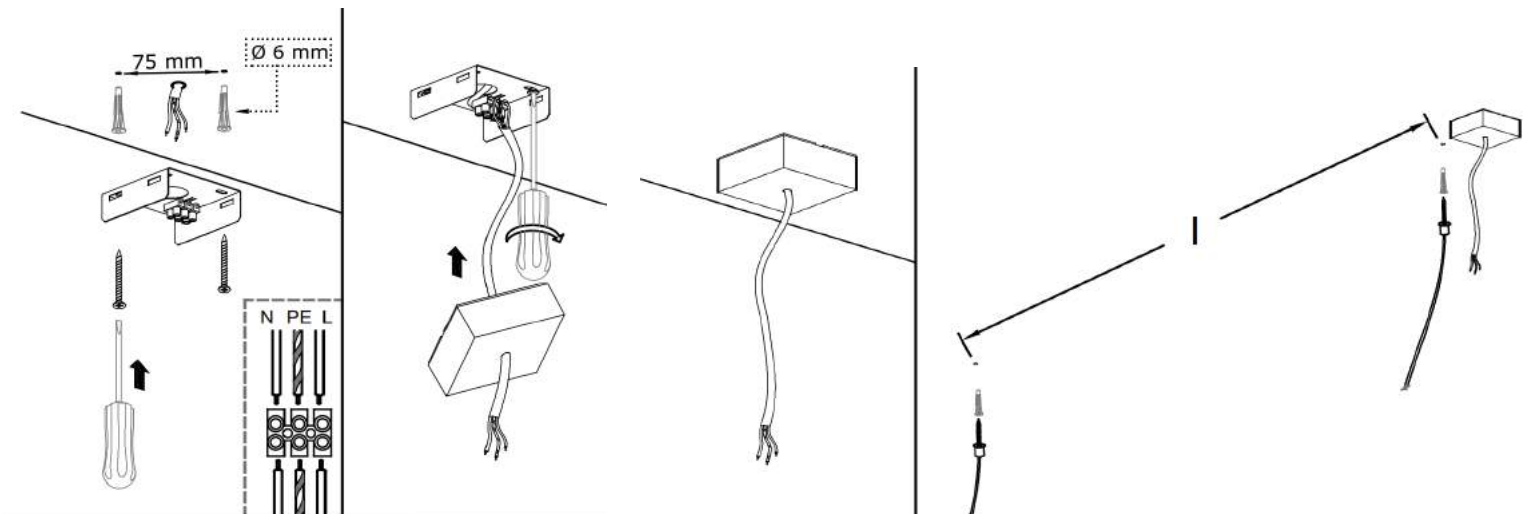


2.

3.

4.

5.



TONGE FAMILY

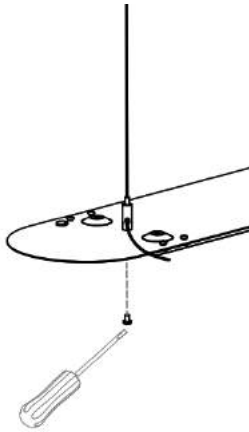
INSTALLATION INSTRUCTIONS

Soft Edge Lighting _ 299 Lighting

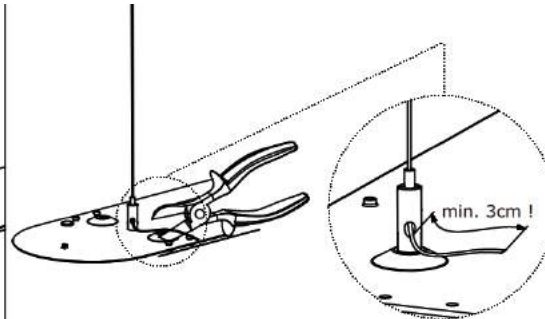
6.



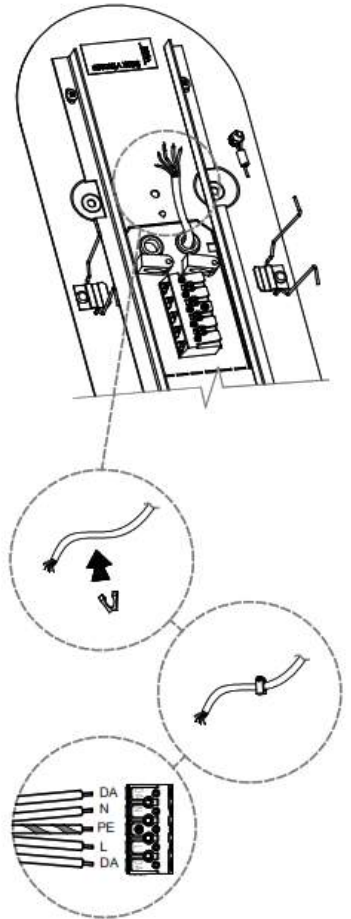
7.



8.



9.



Safety Notes

- The installation may only be carried by authorised specialist.
- Always switch-off the power supply before carrying out any maintenance.
- The manufacturer is not responsible for the incorrect use and assembly of its products.

