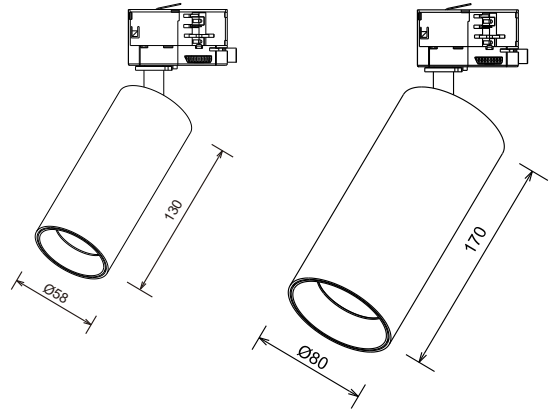


INSTALLATION INSTRUCTIONS
Track Lighting _ 299 Lighting

VENTA TRACK

VENTA TRACK INSTALLATION INSTRUCTIONS



WARNINGS

- Make sure that the product is installed properly before connecting to electricity.
- Do not cover the fitting.
- Maintenance and installation should only be carried out by a professional electrician.

<p>1.</p> <p>To mount the track adaptor into the track system, first check that the selector knob A is at OFF position and the adaptor lock B is disengaged.</p>	<p>2.</p> <p>When installing the adaptor into the track, ensure that it is orientated correctly.</p>	<p>3.</p> <p>Rotate adaptor lock B clockwise 90° to connect the adaptor to the neutral circuit.</p>
<p>4.</p> <p>Rotate selector knob A to the position of desired circuit.</p>	<p>4.1.</p> <p>Circuit 1: Rotate the knob A 90° clockwise from the starting position OFF, to connect circuit 1.</p>	<p>4.2.</p> <p>Circuit 2: Rotate the knob A 90° anti-clockwise from the starting position OFF, to connect circuit 2.</p>
<p>4.3.</p> <p>Circuit 3: Rotate the knob A 180° clockwise from the starting position OFF, to connect circuit 3.</p>	<p>5.</p> <p>The installation is complete, support can be freely rotated 0° - 350° the lamp body can be freely rotated 0° - 90°.</p>	



AC220-240V | 50/60Hz | IP20 | Die Cast | Adjustable

