

INSTALLATION INSTRUCTIONS

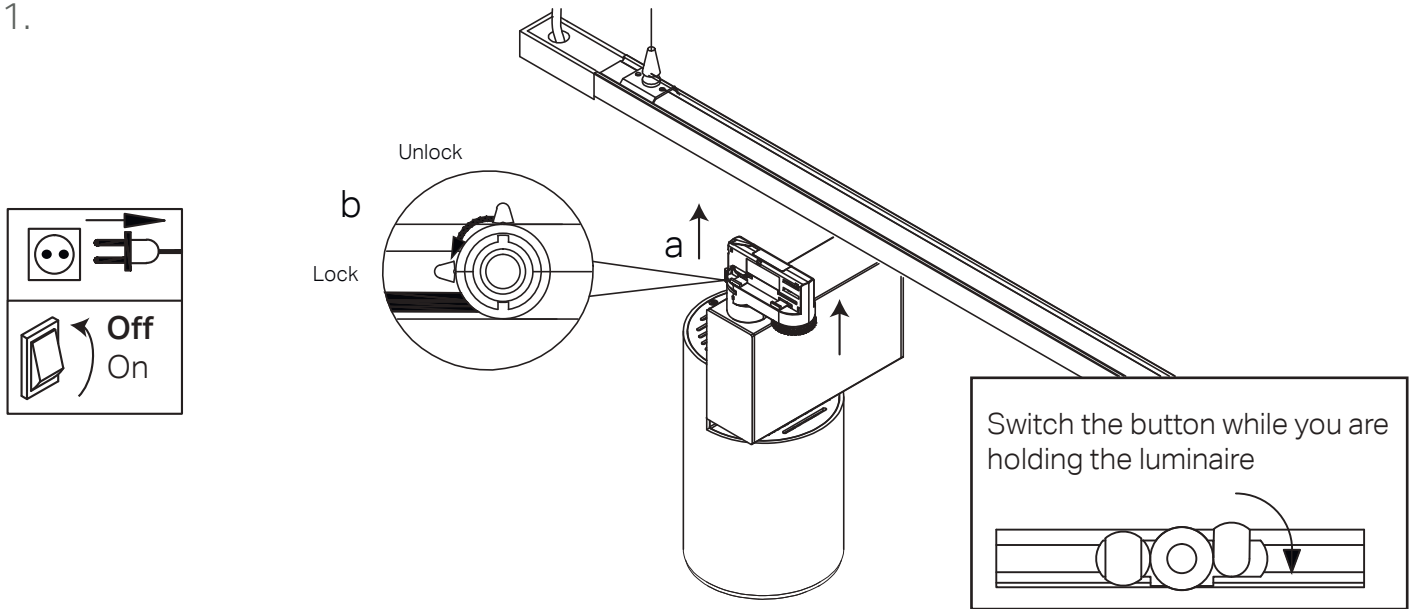
Track Lighting_299Lighting

WEY TRACK

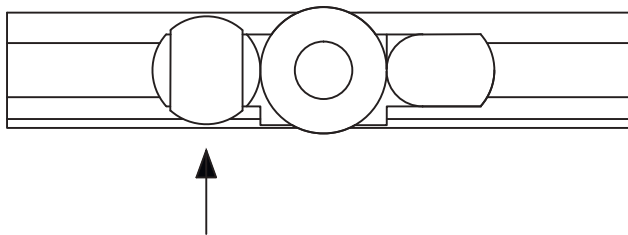
WEY TRACK

INSTALLATION INSTRUCTIONS

1.



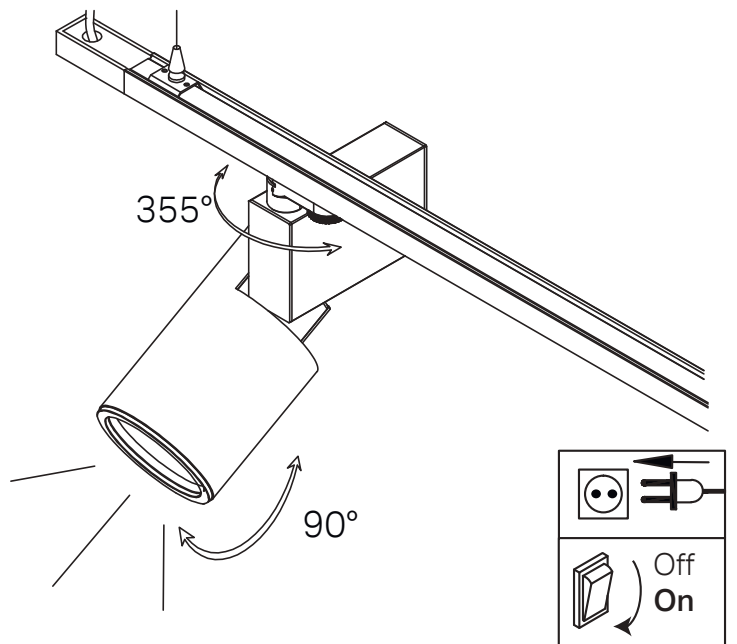
2.



- a) Select the phase
- b) Depending on the switch, you will have to pull or turn



3.



Safety Notes

The safety of this luminaire is guaranteed only if you comply with these instructions; remember to conserve in a safe place
 Ensure adequate voltage and frequency is supplied to the equipment
 Disconnect from the main power before performing or any maintenance
 The installation should be carried out by qualified personnel
 For indoor use only

