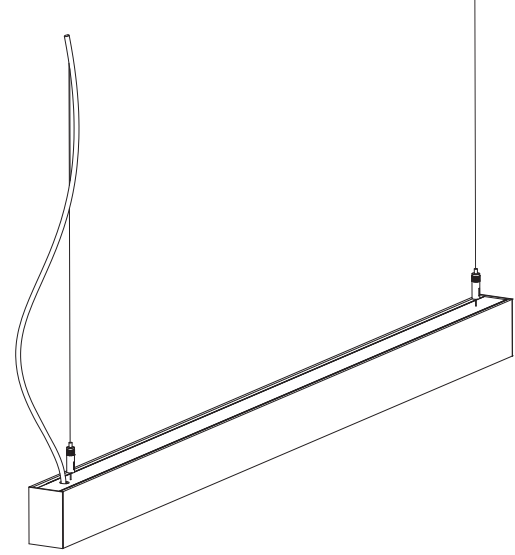


---

## INSTALLATION INSTRUCTIONS

Linear Lighting \_ 299 Lighting

# RIO SUSPENDED



## RIO SUSPENDED

### INSTALLATION INSTRUCTIONS

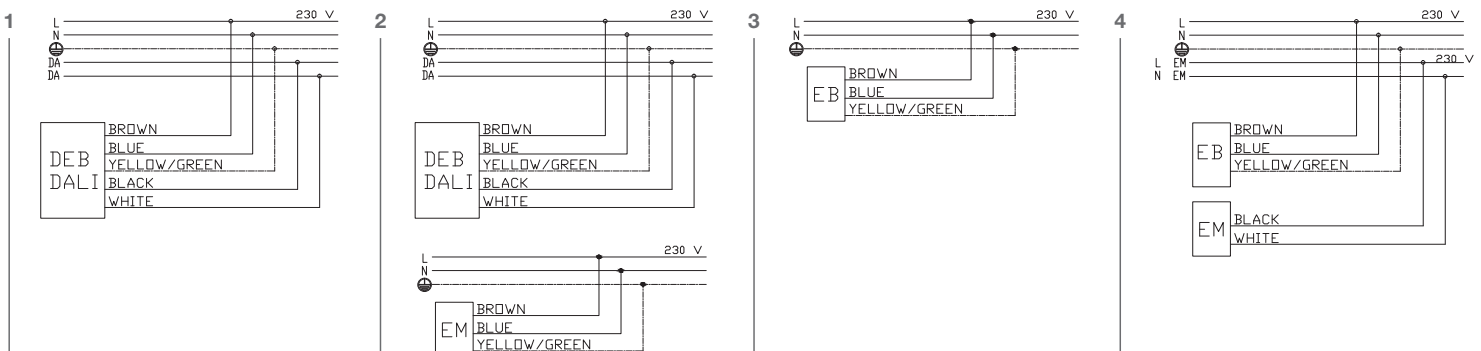
direct / direct-indirect

#### Safety Message

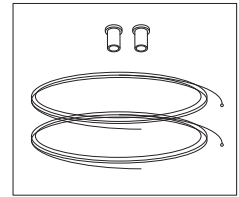
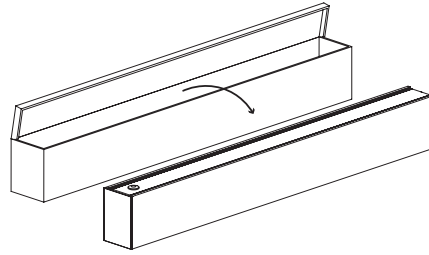
- a) Only competent persons are allowed to perform mounting and maintenance.
- b) Before installation make sure that there is no voltage in the network.
- c) Use only original parts for repairs or maintenance.
- d) Use only fixtures with proper IP protection in wet rooms.
- e) Before servicing, it is obligatory to disconnect the fixture from the network voltage.
- f) Manufacturer does not guarantee for damage caused by incorrect installation and/or use.
- g) Any operation performed on the fixture that is not in accordance with instructions will void manufacturer's warranty.



## Electrical Connection

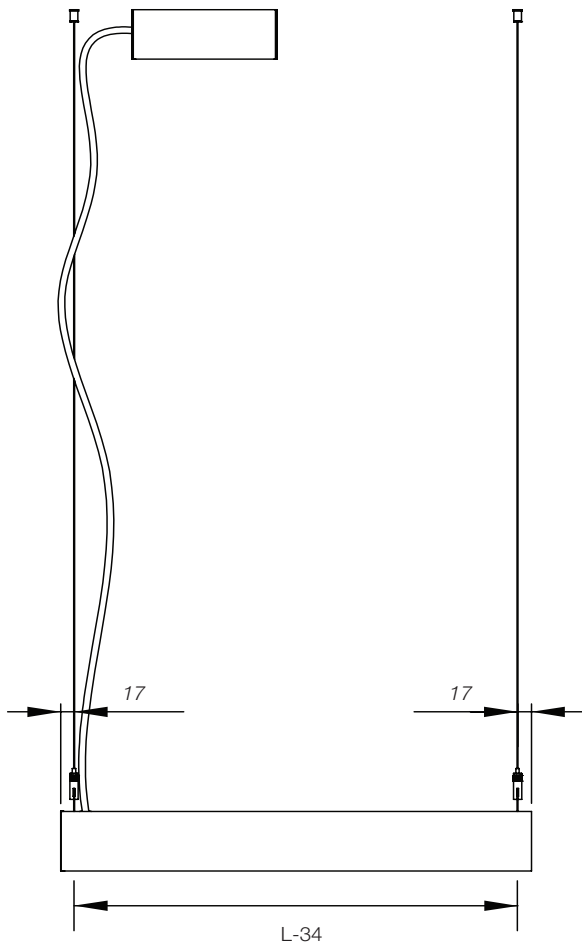


## Inside The Box

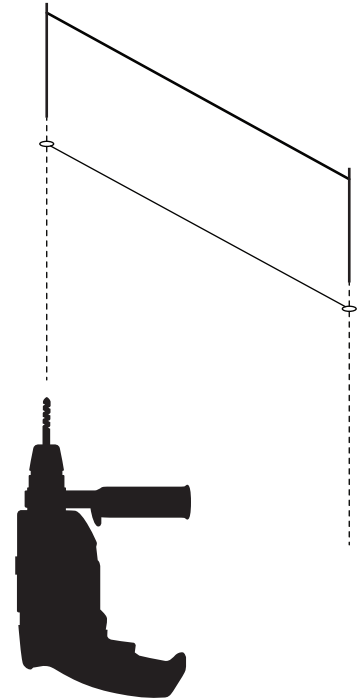


Suspension kit box

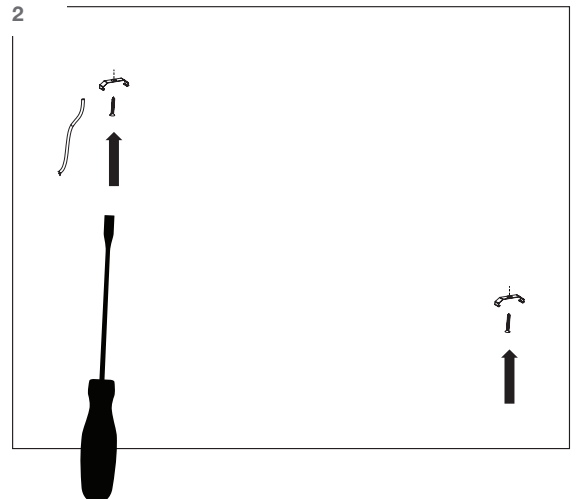
## Mounting



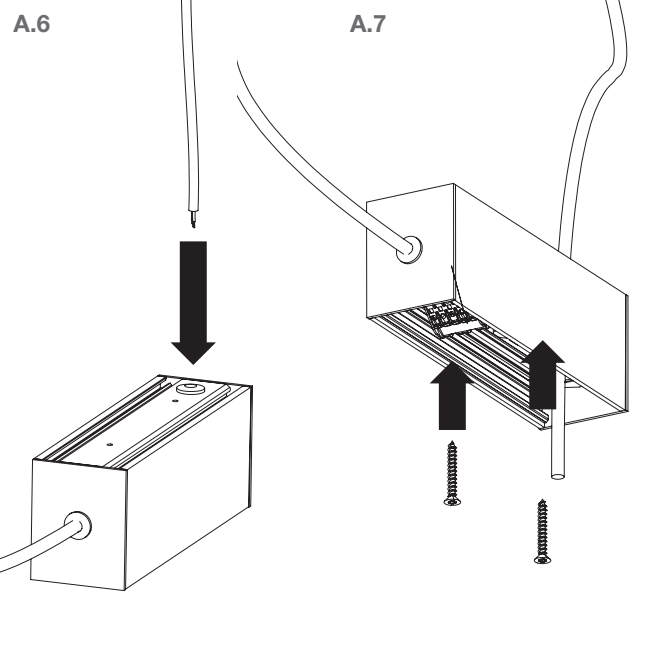
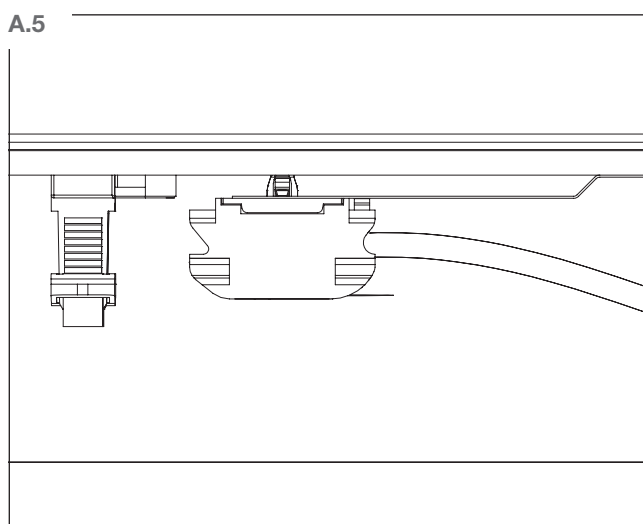
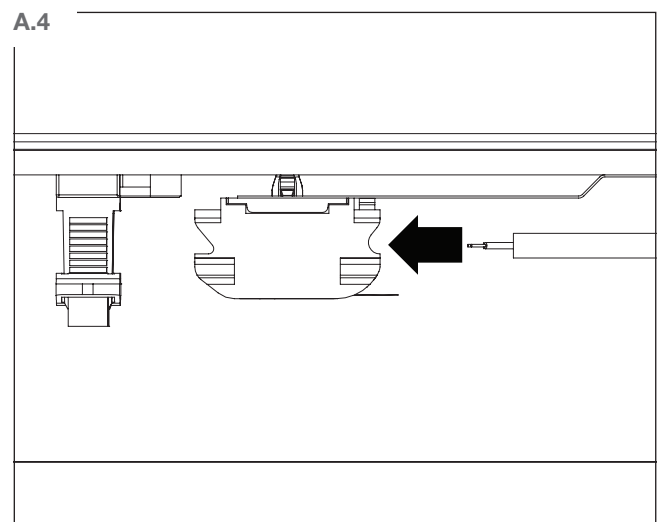
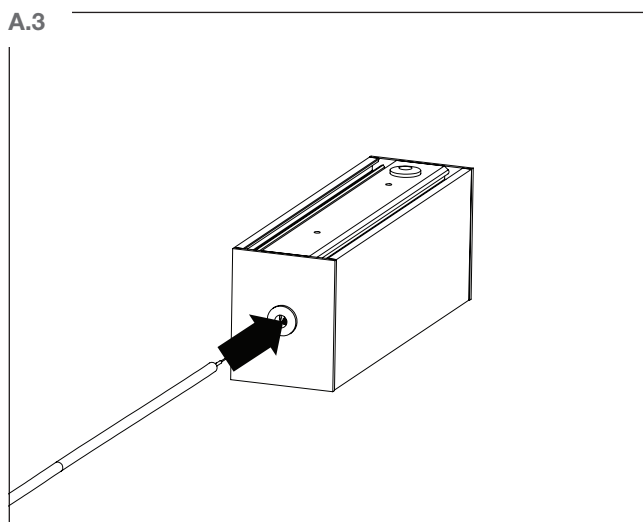
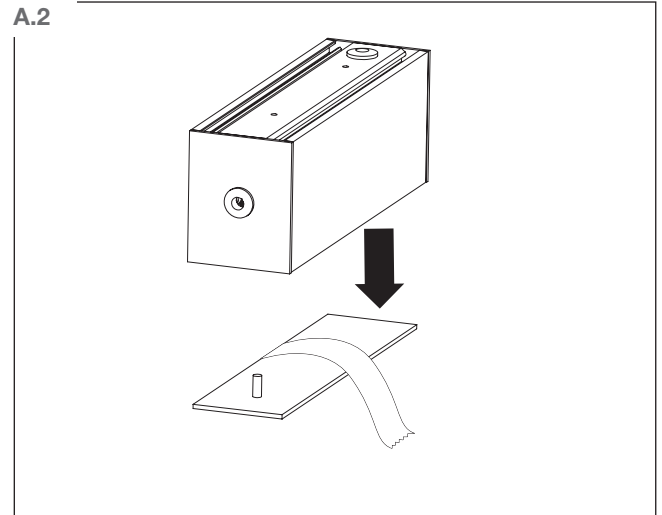
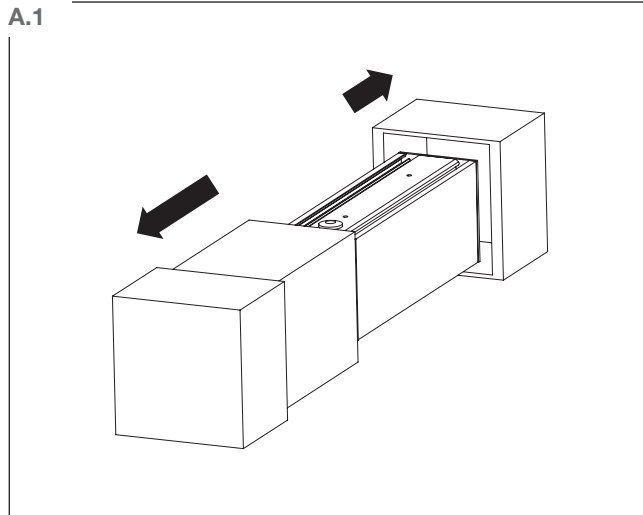
1



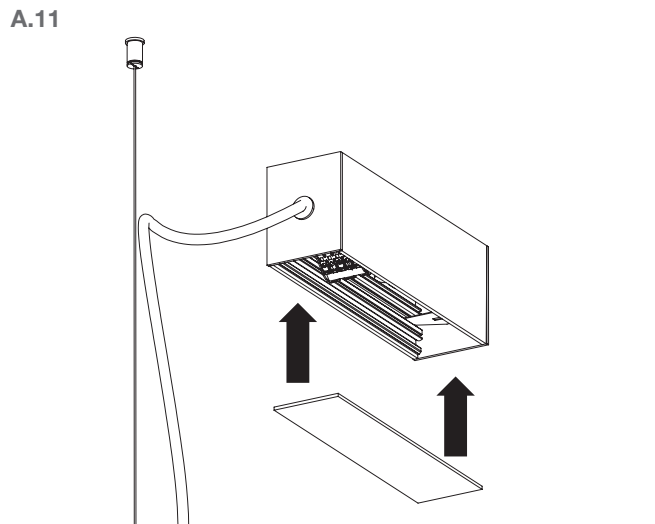
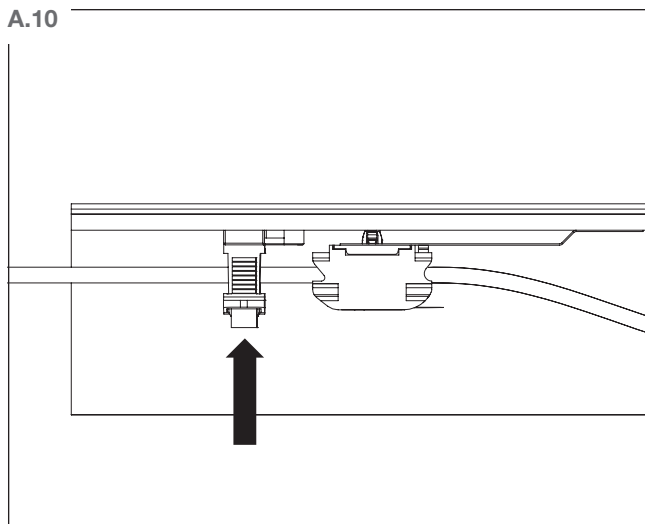
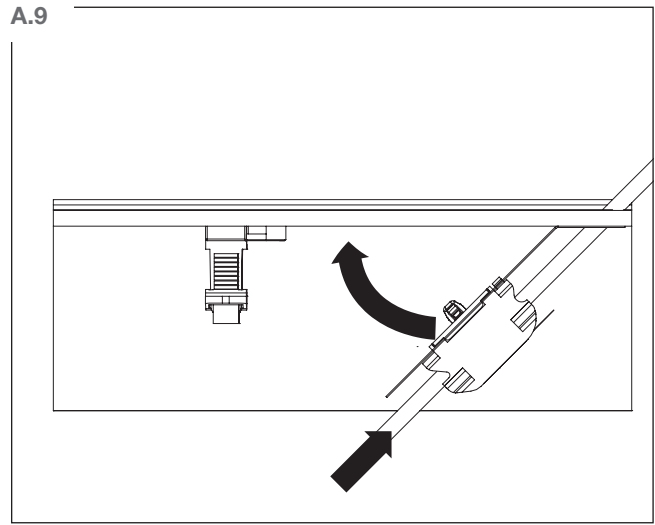
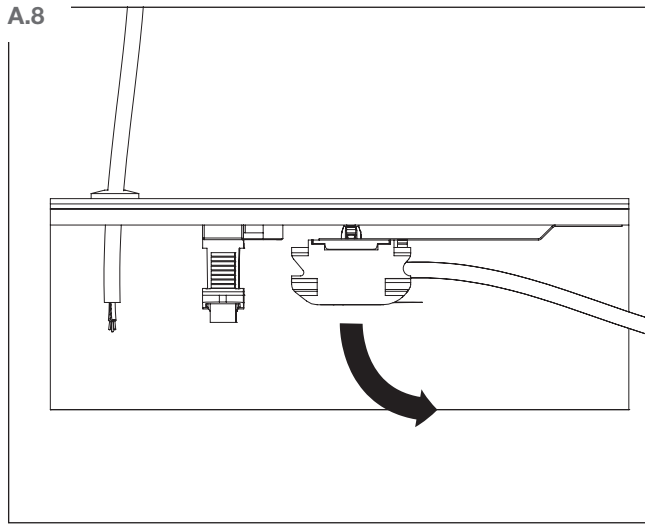
2



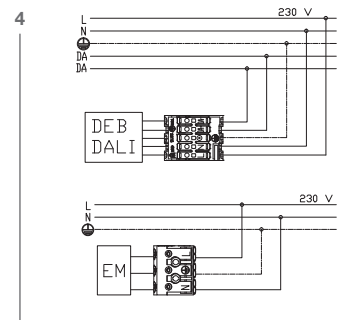
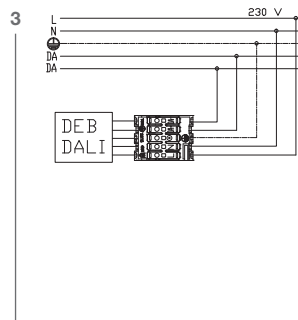
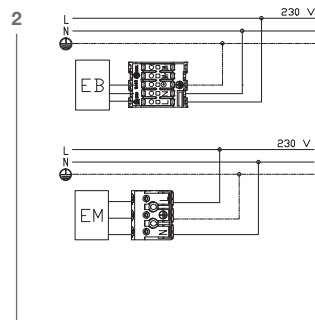
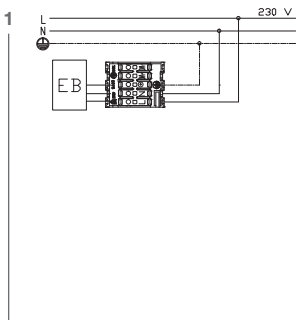
### A. Option: canopy



## Connection

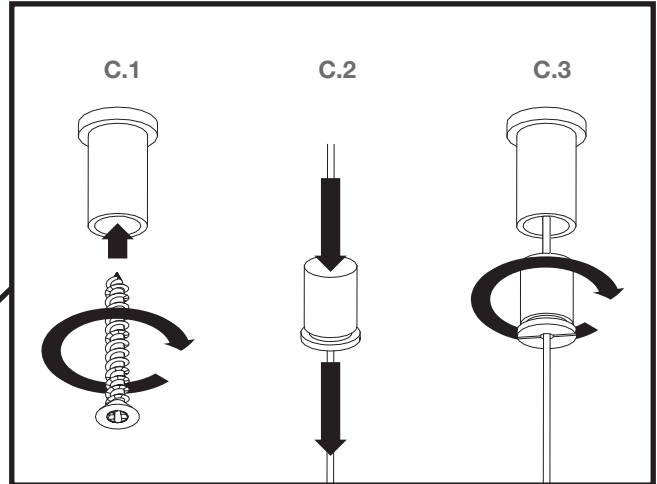
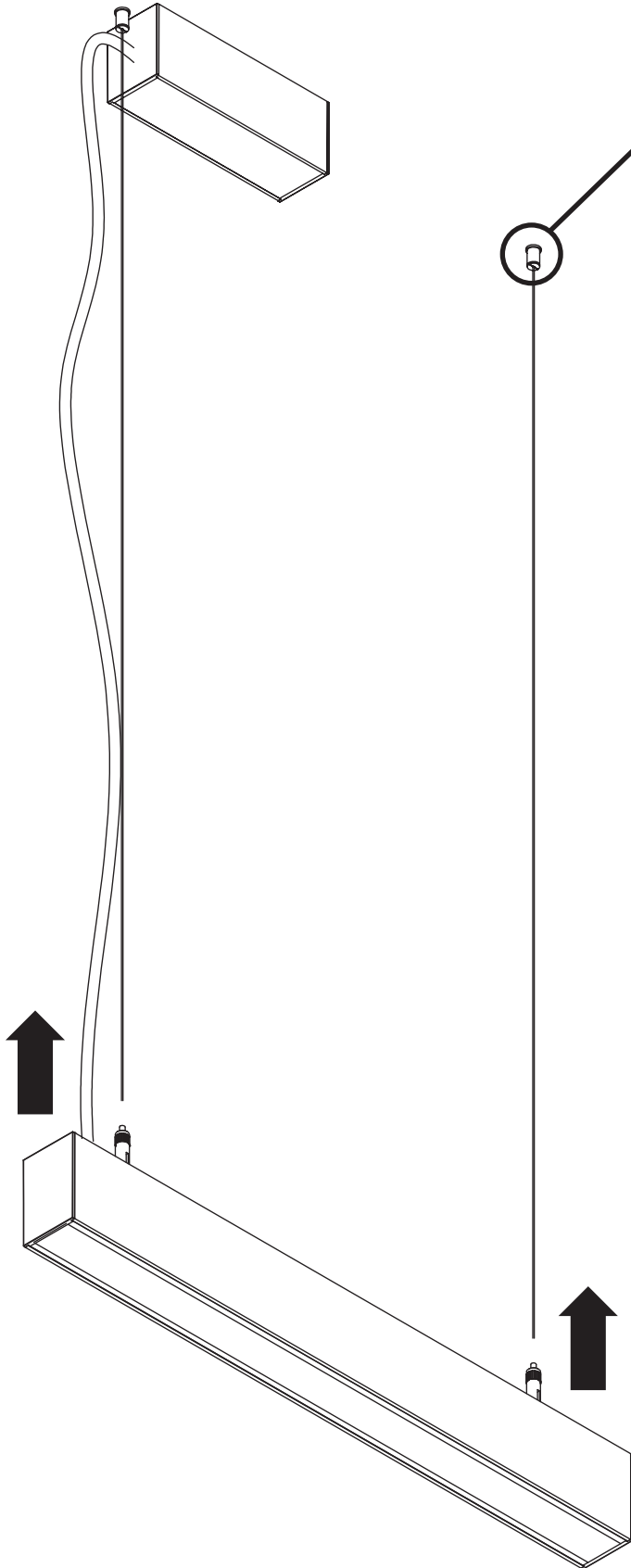


## Electrical connection



**B. Assembly**

**B.1**



**B.2**

