

Unit 38, Dixon Business Centre, Bristol, BS4 5QW
+44 (0) 1179 422512

info@299lighting.co.uk • www.299lighting.co.uk

86 - 90 Paul Street, London, EC2A 4NE
+44 (0) 203 7737530

299

LIGHTING

LOPEN

SURFACE, SUSPENDED & WALL

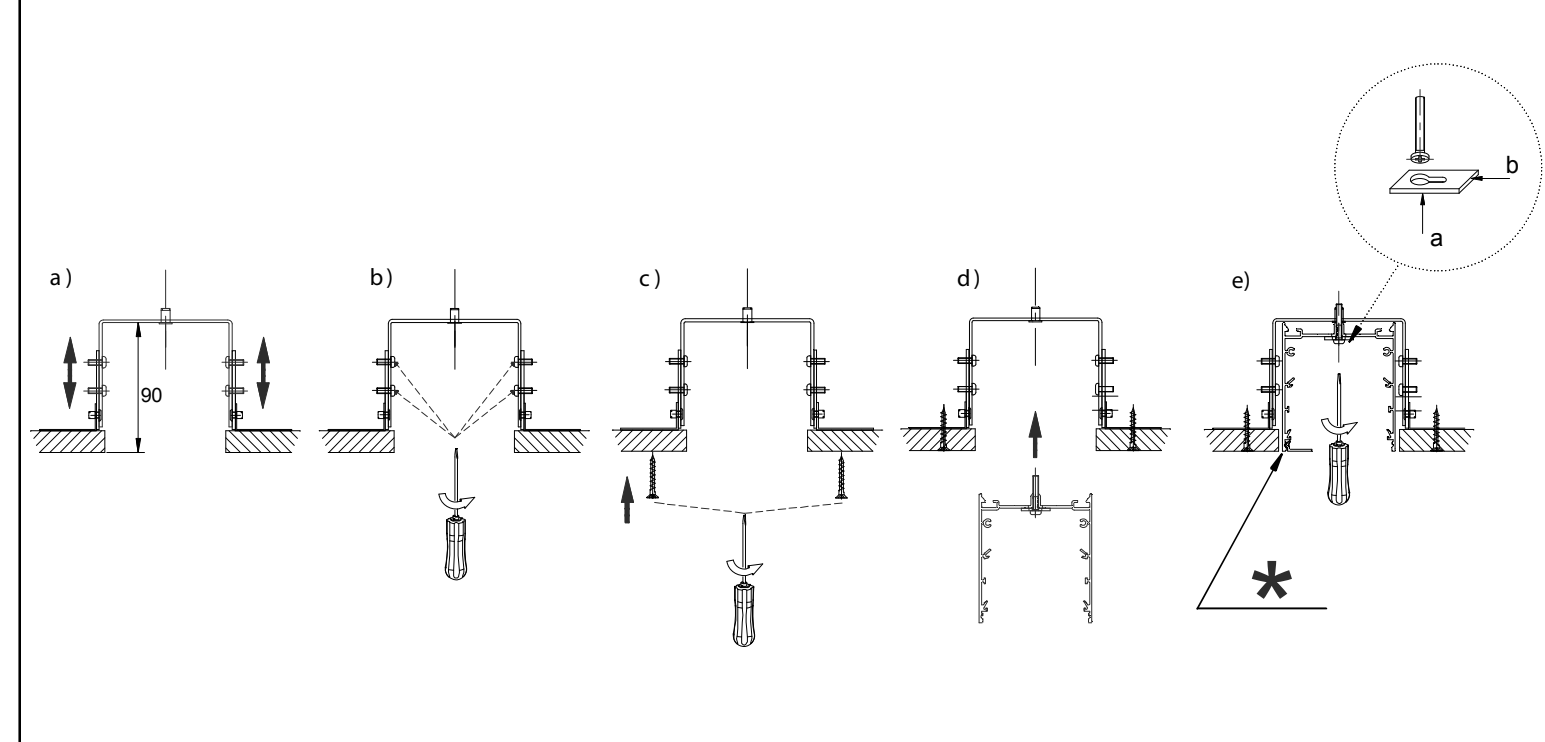
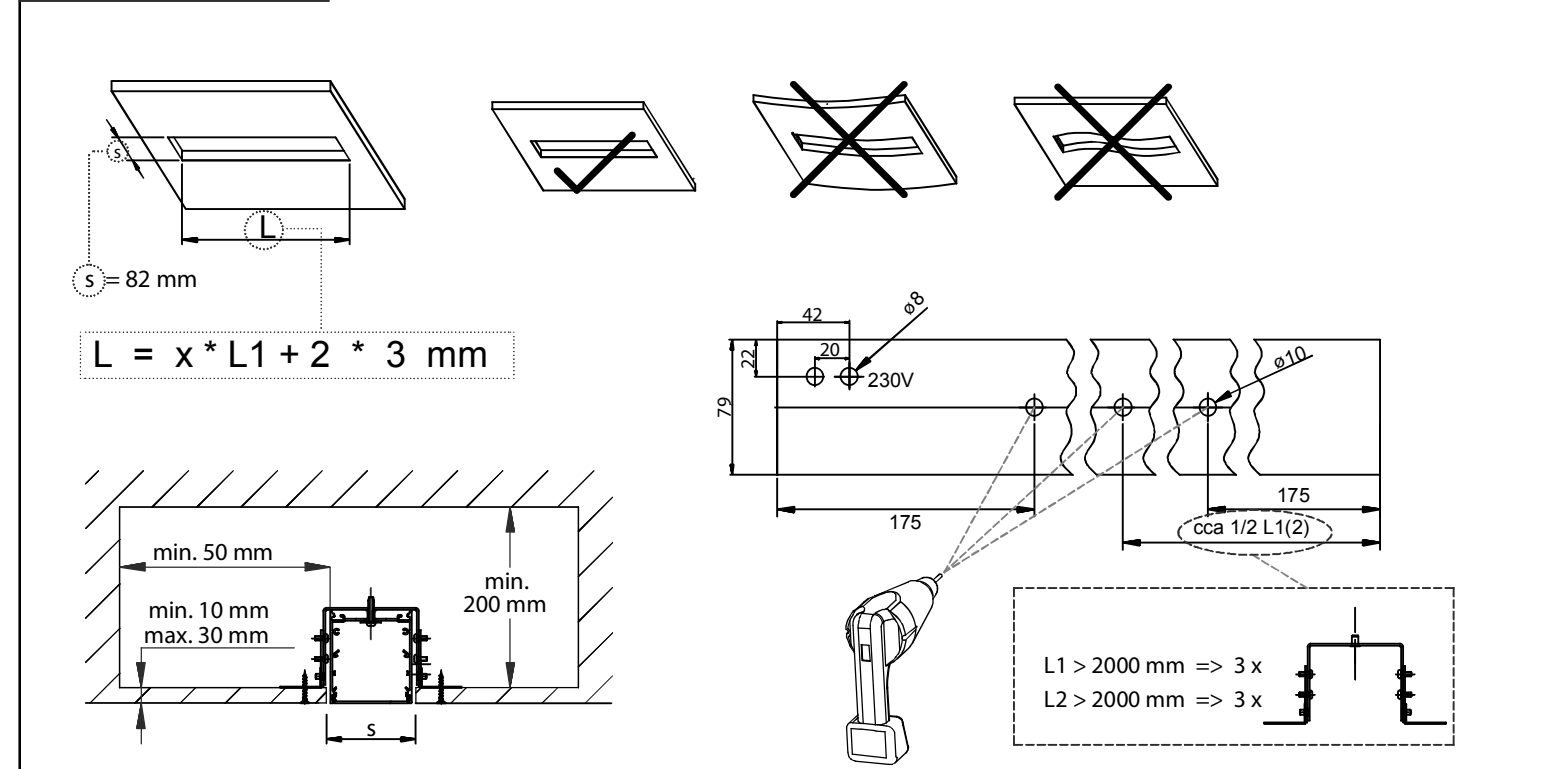
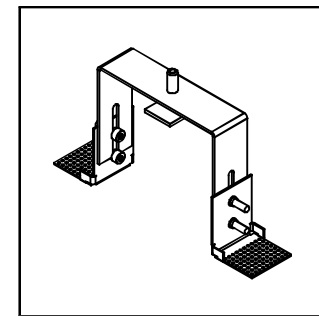
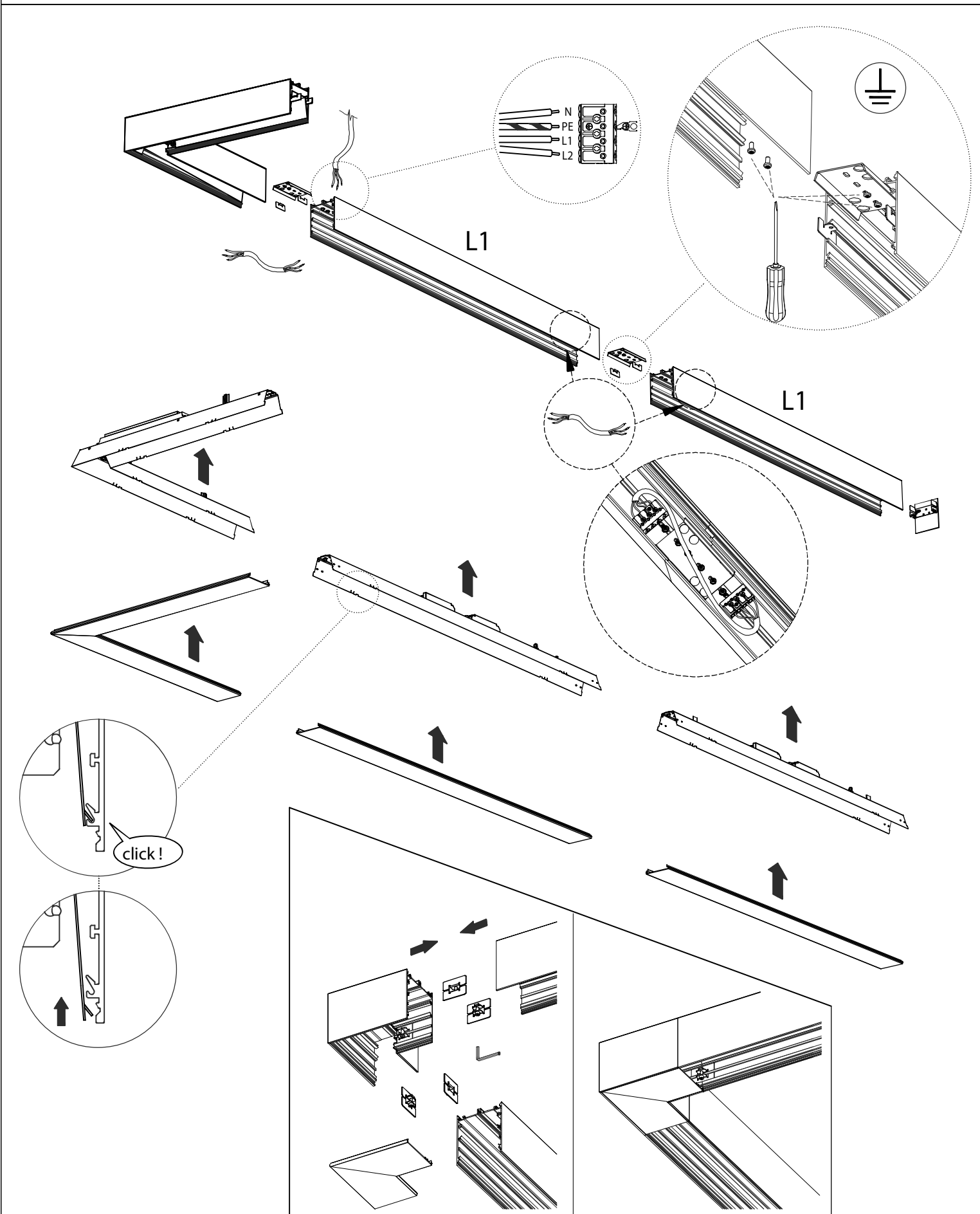
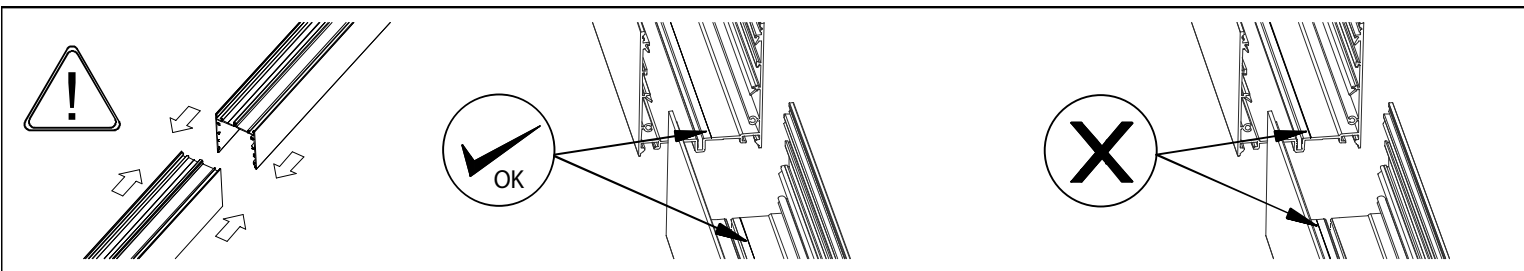
LED

Unit 38, Dixon Business Centre, Bristol, BS4 5QW
+44 (0) 1179 422512

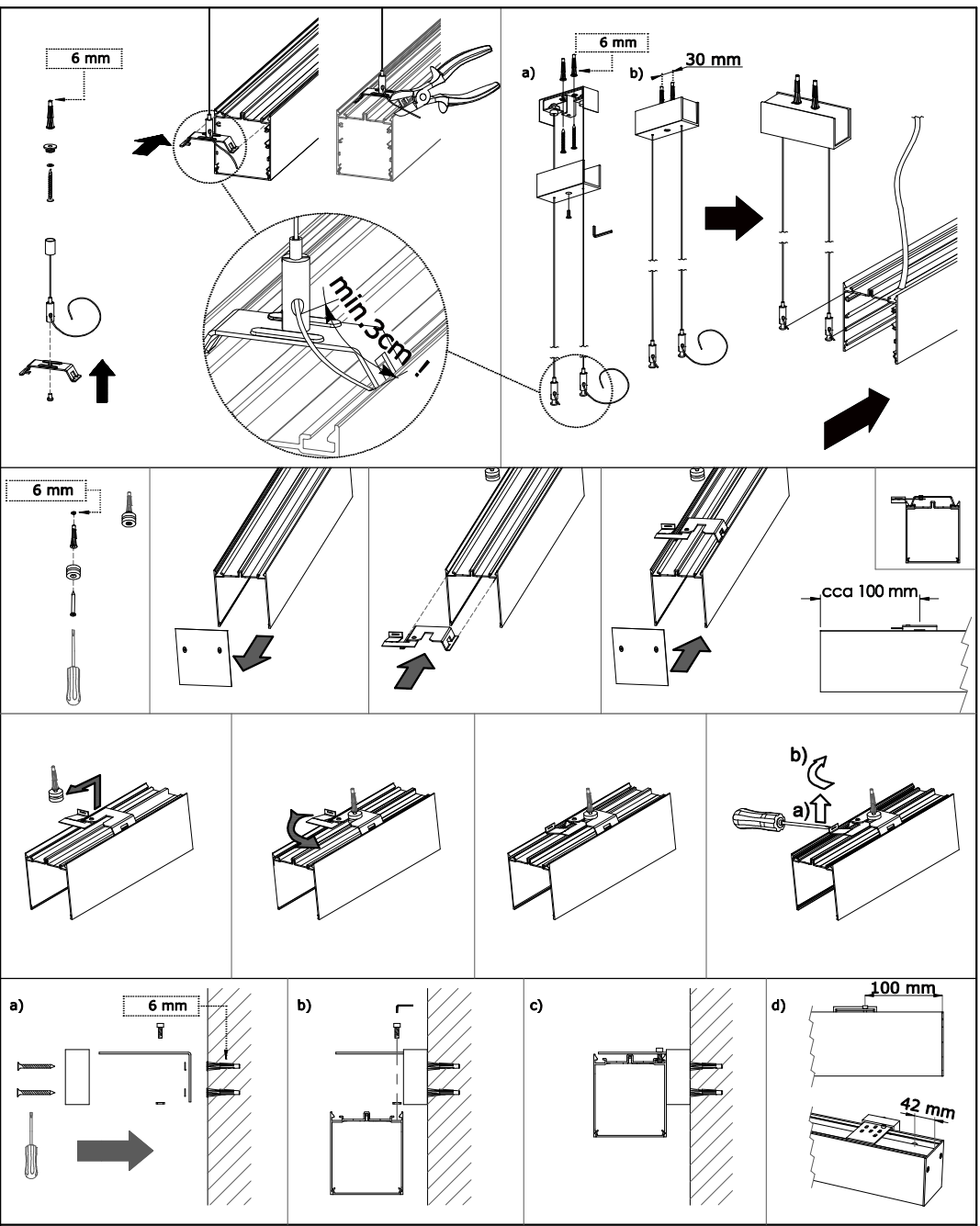
info@299lighting.co.uk • www.299lighting.co.uk

86 - 90 Paul Street, London, EC2A 4NE
+44 (0) 203 7737530

	11-FH1-F13-***_**_** L1 = 562 mm	
	11-FH1-F18-***_**_** L1 = 842 mm	
	11-FH1-F22-***_**_** L1 = 1122 mm	
	11-FH1-F27-***_**_** L1 = 1402 mm	
	11-FH1-F31-***_**_** L1 = 1682 mm	
	11-FH1-F38-***_**_** L1 = 1962 mm	
	11-FH1-F90-***_**_** L1 = 2242 mm	



* Cementing perform with embedded diffuser. We recommend acrylic sealant.



Unit 38, Dixon Business Centre, Bristol, BS4 5QW +44 (0) 1179 422512
 info@299lighting.co.uk www.299lighting.co.uk
 86 - 90 Paul Street, London, EC2A 4NE +44 (0) 203 7737530

299
LIGHTING

CE 21 F ta 25° IP 20

LOPEN

SURFACE, SUSPENDED & WALL

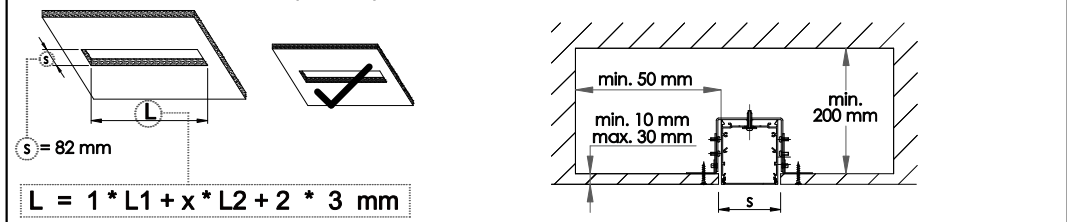
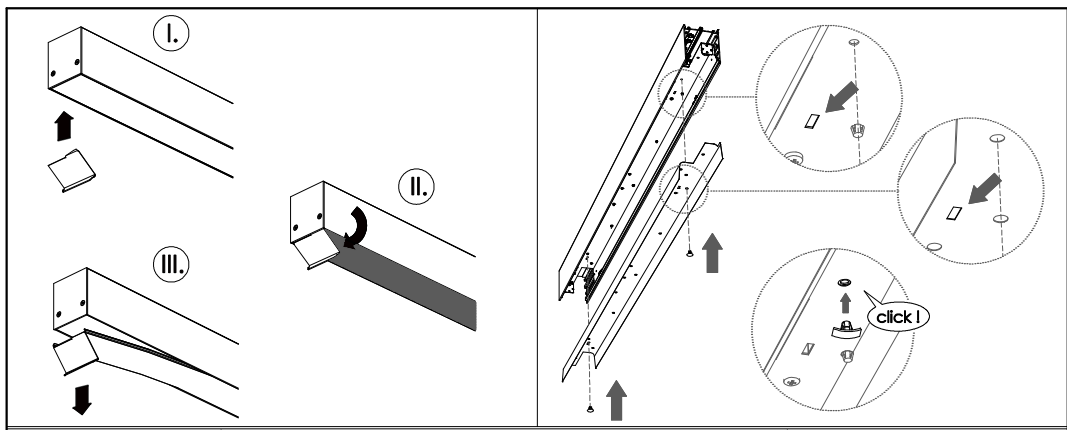
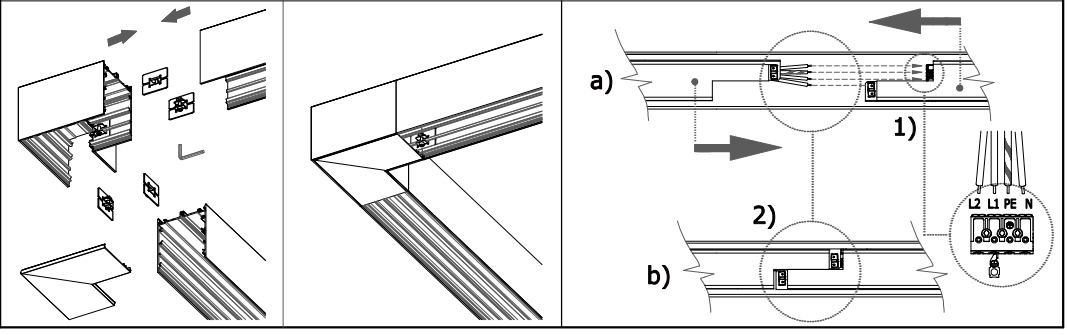
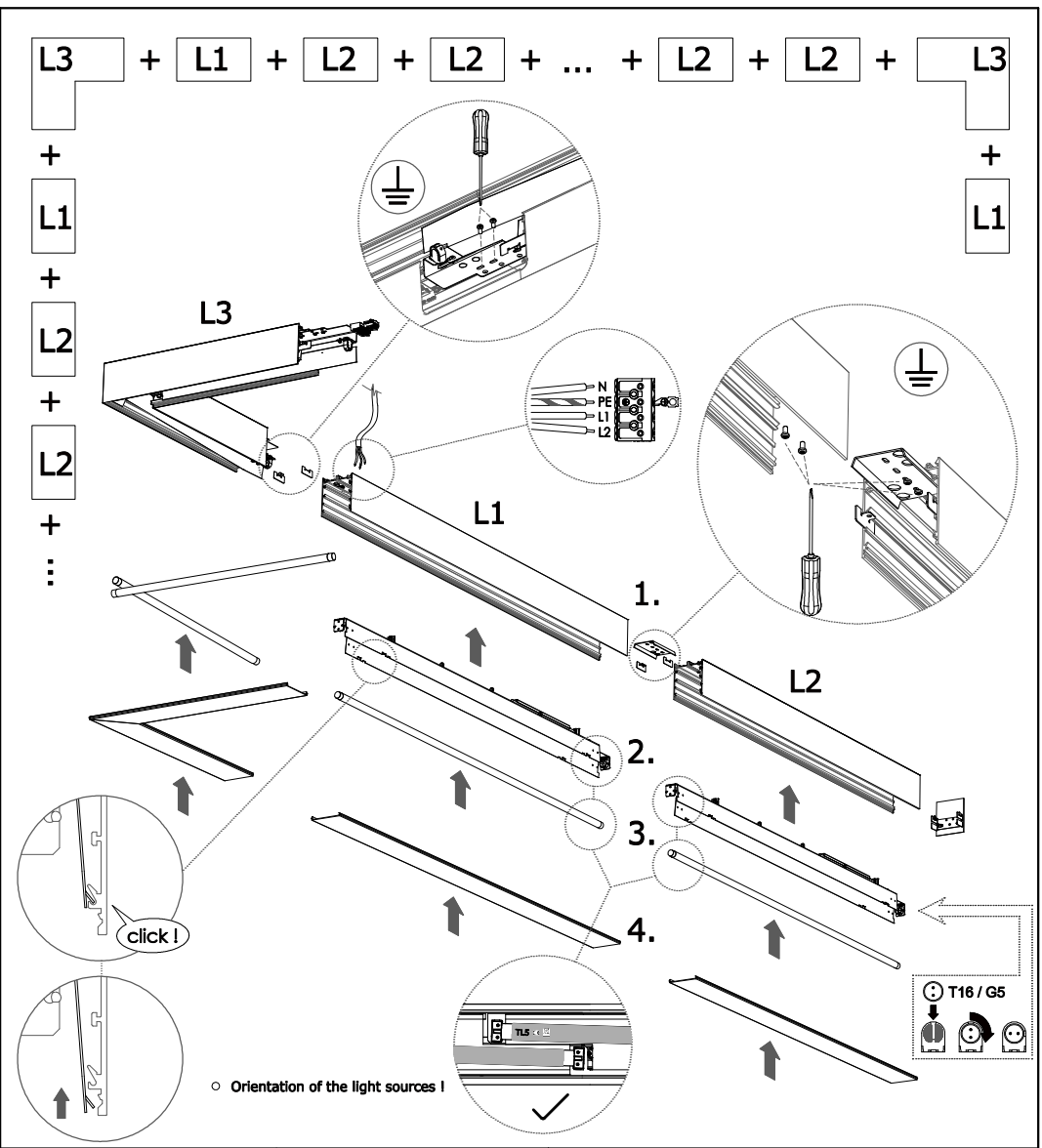
T5

Unit 38, Dixon Business Centre, Bristol, BS4 5QW +44 (0) 1179 422512

info@299lighting.co.uk www.299lighting.co.uk

86 - 90 Paul Street, London, EC2A 4NE +44 (0) 203 7737530

	L1	L2	L3	L4
14/24 W 21/39 W 28/54 W 35/49/80 W 21/39 W 28/54 W 35/49/80 W	578 mm 878 mm 1178 mm 1478 mm 1656 mm 2256 mm 2856 mm	11-FAH1-A114 11-FAH1-A121 11-FAH1-A128 11-FAH1-A135 11-FAH1-A221 11-FAH1-A228 11-FAH1-A235	478 mm 778 mm 1078 mm 1378 mm 1556 mm 2156 mm 2756 mm	11-FBH1-A114 11-FBH1-A121 11-FBH1-A128 11-FBH1-A135 11-FBH1-A221 11-FBH1-A228 11-FBH1-A235
		500x500 mm	11-FCH1-A214 11-FCH1-A224	
				14 W 24 W 21 W 28 W 35 W 39 W 49 W 54 W 80 W
				11-A114 11-A124 11-A121 11-A128 11-A135 11-A139 11-A149 11-A154 11-A180



* ○ Cementing perform with embedded diffuser. We recommend acrylic sealant.

