



## Bento Standard 3 LEDS Trim

LedsC4 Team

Downlight Bento Standard 3 LEDS Trim 6.1 LED neutral-white 4000K CRI 90 37.5° White Black IP23 693lm

### Technical features

Luminaire total power: 6.1W

Real lumens: 693

Real lm/W: 114

Correlated Colour Temperature (CCT): LED neutral-white 4000K

Lens / reflector angle: MEDIUM 38°

UGR: <=16

Structure material: Aluminium, Polycarbonate

Structure finish: White, Black

Equipment necessary but not included

Voltage / frequency: 9V/max.700mA

Useful life: 50,000h L80B20

Warranty: 5 años



### Luminotechnic features

Luminance C0°G65°: 110

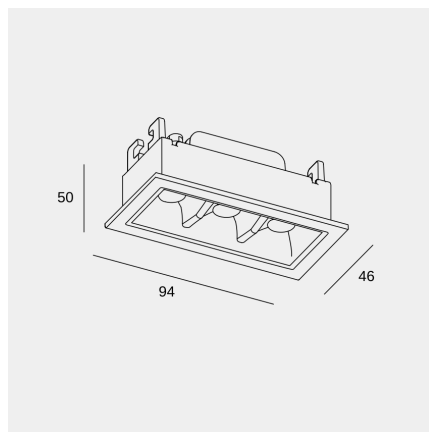
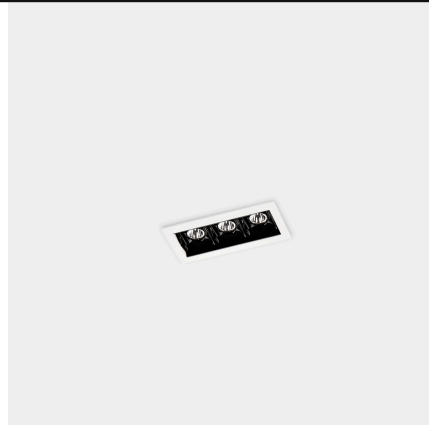
Luminance C90°G65°: 98

CRI: 90

MacAdam steps: 3

Photobiological risk: RG2

UGR		Lampholder	Quantity	Light source power (W)	Correlated Colour Temperature (CCT)
S=0.250					
Ceiling / cavity	0.7	LED	1	6.1W	LED neutral-white 4000K
Walls	0.5				
Working Plane	0.2				
Room dimensions	X=4H, Y=8H				
UGR crosswise	10.8				
UGR lengthwise	13.5				



Also available in trimless, IP65 and adjustable versions

Image may not match reference. LedsC4 reserves the right to amend any of the product's components. The data related to flux, power and colour temperature may be subject to changes made by the manufacturer.



## Bento Standard 6 LEDS Trim

LedsC4 Team

Downlight Bento Standard 6 LEDS Trim 12.2 LED neutral-white 4000K CRI 90 34.3° White IP20 1020lm

### Technical features

Luminaire total power: 12.2W

Real lumens: 1020

Real lm/W: 84

Correlated Colour Temperature (CCT): LED neutral-white 4000K

Lens / reflector angle: MEDIUM 34°

UGR: <=16

Structure material: Aluminium, Polycarbonate

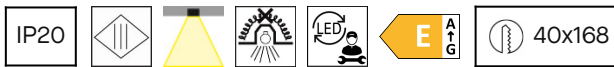
Structure finish: White

Equipment necessary but not included

Voltage / frequency: 18V/max.700mA

Useful life: 50,000h L80B20

Warranty: 5 años



### Luminotechnic features

Luminance C0°G65°: 25

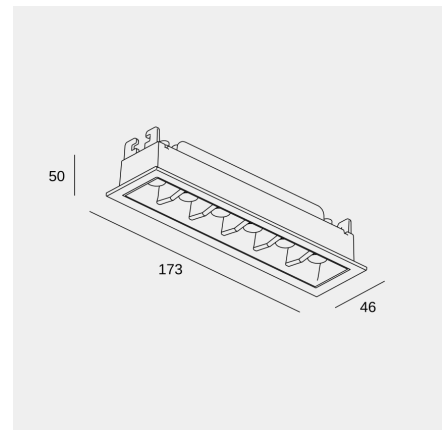
Luminance C90°G65°: 17

CRI: 90

MacAdam steps: 3

Photobiological risk: RG2

UGR		Lampholder	Quantity	Light source power (W)	Correlated Colour Temperature (CCT)
S=0.250					
Ceiling / cavity	0.7	LED	1	12.2W	LED neutral-white 4000K
Walls	0.5				
Working Plane	0.2				
Room dimensions	X=4H, Y=8H				
UGR crosswise	7.9				
UGR lengthwise	7.6				



Also available in trimless, IP65 and adjustable versions

Image may not match reference. LedsC4 reserves the right to amend any of the product's components. The data related to flux, power and colour temperature may be subject to changes made by the manufacturer.



## Bento Standard 12 LEDS Trim

LedsC4 Team

Downlight Bento Standard 12 LEDS Trim 24.4 LED neutral-white 4000K CRI 90 37.5° Black IP23 2774lm

### Technical features

Luminaire total power: 24.4W

Real lumens: 2774

Real lm/W: 114

Correlated Colour Temperature (CCT): LED neutral-white 4000K

Lens / reflector angle: MEDIUM 38°

UGR: <=16

Structure material: Aluminium, Polycarbonate

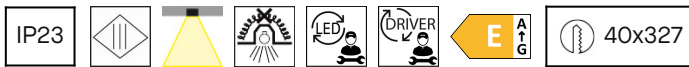
Structure finish: Black

Equipment necessary but not included

Voltage / frequency: 36V/max.700mA

Useful life: 50,000h L80B20

Warranty: 5 años



### Luminotechnic features

Luminance C0°G65°: 147

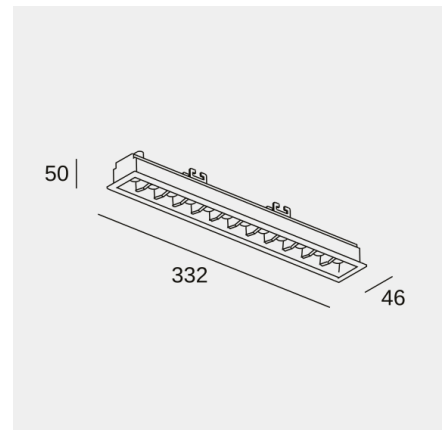
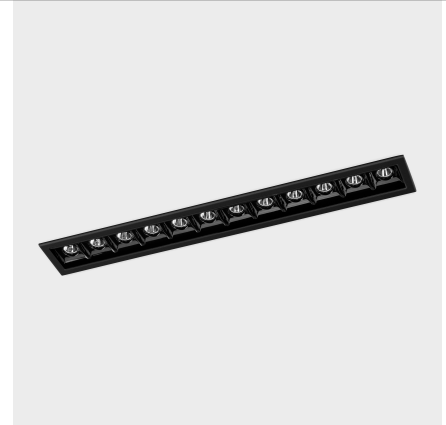
Luminance C90°G65°: 130

CRI: 90

MacAdam steps: 3

Photobiological risk: RG2

UGR		Lampholder	Quantity	Light source power (W)	Correlated Colour Temperature (CCT)
S=0.250					
Ceiling / cavity	0.7	LED	1	24.4W	LED neutral-white 4000K
Walls	0.5				
Working Plane	0.2				
Room dimensions	X=4H, Y=8H				
UGR crosswise	11.8				
UGR lengthwise	14.5				



Also available in trimless

Image may not match reference. LedsC4 reserves the right to amend any of the product's components. The data related to flux, power and colour temperature may be subject to changes made by the manufacturer.



## Bento Standard 18 LEDS Trim

LedsC4 Team

Downlight Bento Standard 18 LEDS Trim 36.5 LED neutral-white 4000K CRI 90 35.4° Black IP23 2846lm

### Technical features

Luminaire total power: 36.5W

Real lumens: 2846

Real lm/W: 78

Correlated Colour Temperature (CCT): LED neutral-white 4000K

Lens / reflector angle: MEDIUM 36°

UGR: <=16

Structure material: Aluminium, Polycarbonate

Structure finish: Black

Equipment necessary but not included

Voltage / frequency: 54V/max.700mA

Useful life: 50,000h L80B20

Warranty: 5 años



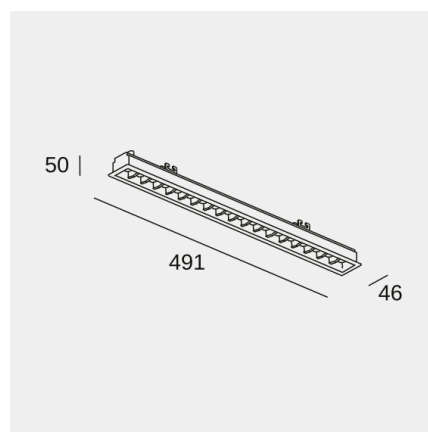
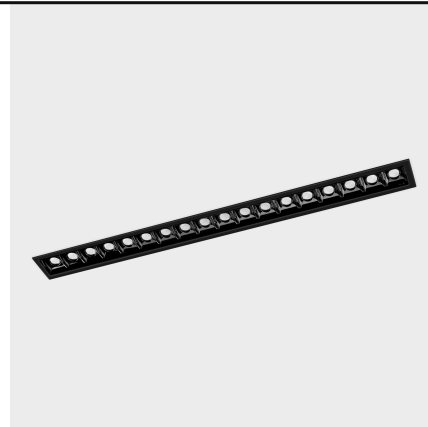
### Luminotechnic features

CRI: 90

MacAdam steps: 3

Photobiological risk: RG2

UGR		Lampholder	Quantity	Light source power (W)	Correlated Colour Temperature (CCT)
S=0.250					
Ceiling / cavity	0.7	LED	1	36.5W	LED neutral-white 4000K
Walls	0.5				
Working Plane	0.2				
Room dimensions	X=4H, Y=8H				
UGR crosswise	8.8				
UGR lengthwise	9.3				



Also available in trimless

Image may not match reference. LedsC4 reserves the right to amend any of the product's components. The data related to flux, power and colour temperature may be subject to changes made by the manufacturer.



## Bento Standard Square Trim

LedsC4 Team

Downlight Bento Standard Square Trim 18.3 LED neutral-white 4000K CRI 90 33.8° Black IP23 1514lm

### Technical features

Luminaire total power: 18.3W

Real lumens: 1514

Real lm/W: 83

Correlated Colour Temperature (CCT): LED neutral-white 4000K

Lens / reflector angle: MEDIUM 34°

UGR: <=16

Structure material: Aluminium, Polycarbonate

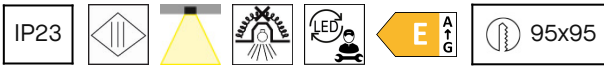
Structure finish: Black

Equipment necessary but not included

Voltage / frequency: 27V/max.700mA

Useful life: 50,000h L80B20

Warranty: 5 años



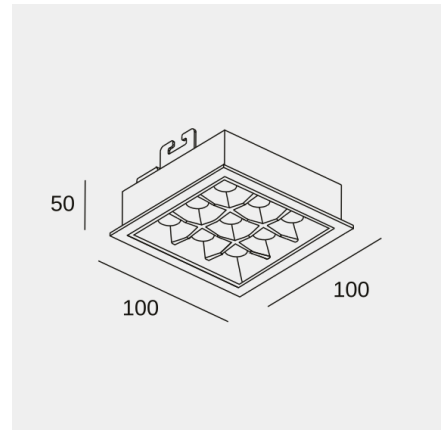
### Luminotechnic features

CRI: 90

MacAdam steps: 3

Photobiological risk: RG2

UGR		Lampholder	Quantity	Light source power (W)	Correlated Colour Temperature (CCT)
S=0.250					
Ceiling / cavity	0.7	LED	1	18.3W	LED neutral-white 4000K
Walls	0.5				
Working Plane	0.2				
Room dimensions	X=4H, Y=8H				
UGR crosswise	12.1				
UGR lengthwise	12.1				



Also available in trimless

Image may not match reference. LedsC4 reserves the right to amend any of the product's components. The data related to flux, power and colour temperature may be subject to changes made by the manufacturer.