



## Bento Surface 3 LEDS

LedsC4 Team

Ceiling fixture Bento Surface 3 LEDS 8 LED neutral-white 4000K CRI 90 ON-OFF White IP23 693lm

### Technical features

- Luminaire total power: 8W
- Real lumens: 693
- Real lm/W: 87
- Correlated Colour Temperature (CCT): LED neutral-white 4000K
- Lens / reflector angle: MEDIUM 38°
- UGR: <=16
- Structure material: Aluminium
- Structure finish: White
- Driver Brand: HEP
- Voltage / frequency: 220-240V/50-60Hz
- Dimming protocol: ON-OFF
- Power Factor: 0.93
- Useful life: 50,000h L80B20
- Warranty: 5 años
- Easily recyclable luminaire



### Luminotechnic features

- Luminance C0°G65°: 110
- Luminance C90°G65°: 98
- CRI: 90
- MacAdam steps: 3
- Photobiological risk: RG2

UGR		Lampholder	Quantity	Light source power (W)	Correlated Colour Temperature (CCT)
S=0.250					
Ceiling / cavity	0.7	LED	1	6.3W	LED neutral-white 4000K
Walls	0.5				
Working Plane	0.2				
Room dimensions	X=4H, Y=8H				
UGR crosswise	10.8				
UGR lengthwise	13.5				

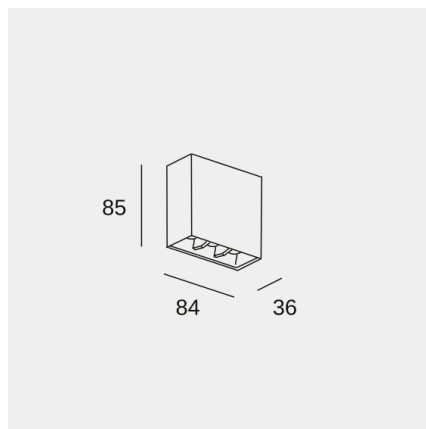
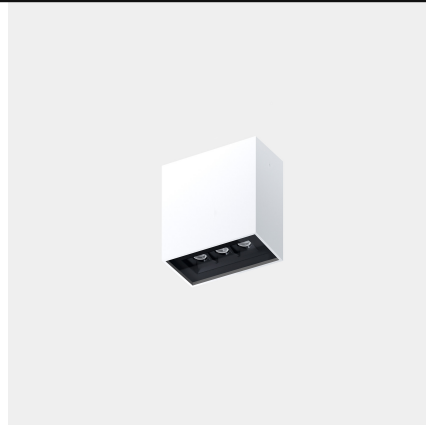


Image may not match reference. LedsC4 reserves the right to amend any of the product's components. The data related to flux, power and colour temperature may be subject to changes made by the manufacturer.



## Bento Surface 6 LEDs

LedsC4 Team

Ceiling fixture Bento Surface 6 LEDs 14.7 LED neutral-white 4000K CRI 90 PHASE CUT Black IP23 882lm

### Technical features

- Luminaire total power: 14.7W
- Real lumens: 882
- Real lm/W: 60
- Correlated Colour Temperature (CCT): LED neutral-white 4000K
- Lens / reflector angle: FLOOD 48°
- UGR: <=16
- Structure material: Aluminium
- Structure finish: Black
- Driver Brand: HEP
- Voltage / frequency: 220-240V/50-60Hz
- Dimming protocol: PHASE CUT
- Power Factor: 0.90
- Useful life: 50,000h L80B20
- Warranty: 5 años
- Easily recyclable luminaire



### Luminotechnic features

- Luminance C0°G65°: 15
- Luminance C90°G65°: 10
- CRI: 90
- MacAdam steps: 3
- Photobiological risk: RG2

UGR	
S=0.250	
Ceiling / cavity	0.7
Walls	0.5
Working Plane	0.2
Room dimensions	X=4H, Y=8H
UGR crosswise	12.1
UGR lengthwise	12.1

Lampholder	Quantity	Light source power (W)	Correlated Colour Temperature (CCT)
LED	1	12.2W	LED neutral-white 4000K

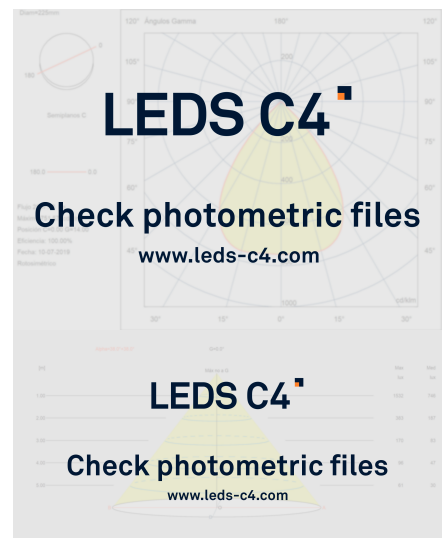
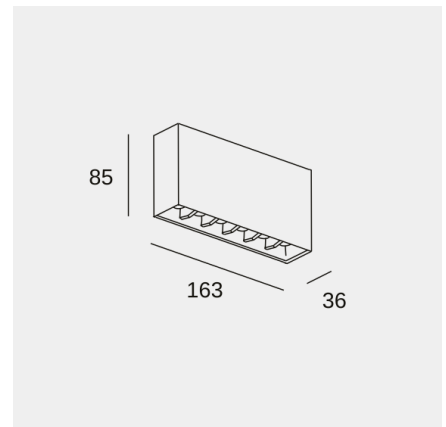


Image may not match reference. LedsC4 reserves the right to amend any of the product's components. The data related to flux, power and colour temperature may be subject to changes made by the manufacturer.



## Bento Surface 12 LEDS

LedsC4 Team

Ceiling fixture Bento Surface 12 LEDS 25.7 LED neutral-white 4000K CRI 90 PHASE CUT Black IP23 2774lm

### Technical features

Luminaire total power: 25.7W

Real lumens: 2774

Real lm/W: 108

Correlated Colour Temperature (CCT): LED neutral-white 4000K

Lens / reflector angle: MEDIUM 38°

UGR: <=16

Structure material: Aluminium, Polycarbonate

Structure finish: Black

Driver Brand: ELT

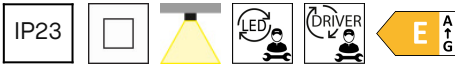
Voltage / frequency: 220-240V/50-60Hz

Dimming protocol: PHASE CUT

Power Factor: 0.90

Useful life: 50,000h L80B20

Warranty: 5 años



### Luminotechnic features

Luminance C0°G65°: 147

Luminance C90°G65°: 130

CRI: 90

MacAdam steps: 3

Photobiological risk: RG2

UGR		Lampholder	Quantity	Light source power (W)	Correlated Colour Temperature (CCT)
S=0.250					
Ceiling / cavity	0.7	LED	1	24.4W	LED neutral-white 4000K
Walls	0.5				
Working Plane	0.2				
Room dimensions	X=4H, Y=8H				
UGR crosswise	11.8				
UGR lengthwise	14.5				

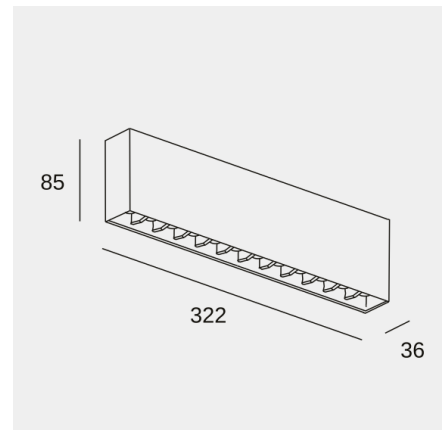


Image may not match reference. LedsC4 reserves the right to amend any of the product's components. The data related to flux, power and colour temperature may be subject to changes made by the manufacturer.